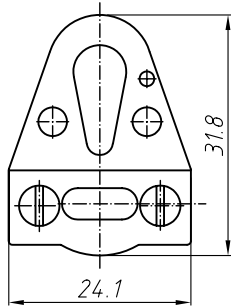
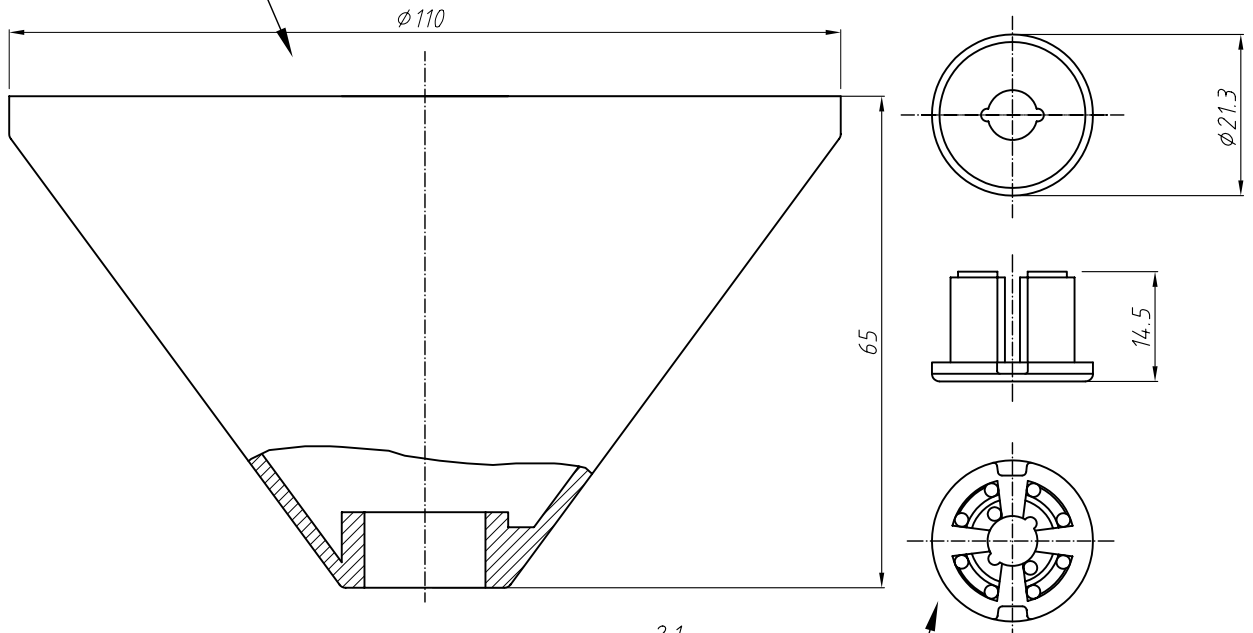
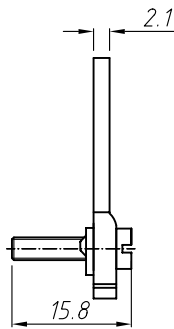


canopy (cone)
ser. no. 029.005.300



strain-relief,
power-feed cable
ser. no. 193.005.306



small cylindric cap for canopy cone
for 1 till 2 cable ϕ 1.5 mm
and power-feed cable ϕ 6 - 6.6 mm
ser. no. 029.005.208

type of packing:
1 set in a
PE-bag ser. no. . 000.002.001

				Scale: 1:1	Size: A4	Tolerance: DIN/ISO 2768 c
				Mass: 37.4 g	AG:	Material: various
				MC:		Surface: various
			Date	Name	Designation	
			Work 27.02.02	S. Lorey	canopy (cone) with small cylindric cap for 1 till 2 cable ϕ 1,5 mm and power-feed cable ϕ 6 till 6,6 mm; white RAL 9010	
			Change 23.02.06	B. Schwachhöfer		
			Release:			
			 Frankfurt am Main - Germany Caution Copyright DIN 34		Drawing No.	Sheet
						K - 193.005.283 - 0 - GB
					Ser. No.	7 Sh.
Status	Change	Date	Name	Replc.f.:	Replcd.	