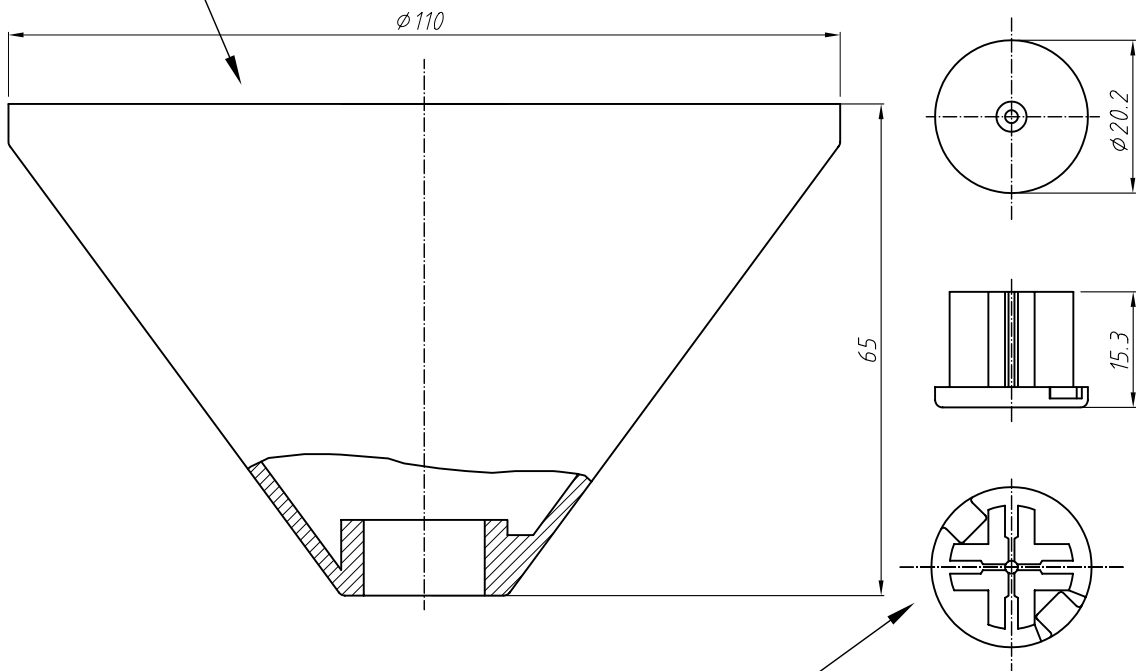


canopy (cone)  
ser. no. 029.005.300



cap cylindrical for cap cylindrical cone  
for cable  $\phi$  1.5 mm  
ser. no. 029.005.207

type of packing:  
1 set per PE-bag  
ser.no. 000.002.000

Scale: 1:1	Size: A4	Tolerance: DIN/ISO 2768 c
Mass: 40,8g	AG:	Material: various
MC:		Surface: various

	Date	Name
Work	16.01.04	B. Schwachhöfer
Change		

Designation	canopy (cone) with cap cylindrical for 1 cable $\phi$ 1,5 mm; white RAL 9010
Release:	
Drawing No.	

**REUTLINGER**<sup>®</sup>  
Frankfurt am Main - Germany

Drawing No.	K - 193.005.284 - 0 - GB	Sheet	1
	Ser. No.		1 Sh.

Status	Change	Date	Name	Caution Copyright DIN 34
--------	--------	------	------	--------------------------

Replc.f.:	Replcd.
-----------	---------