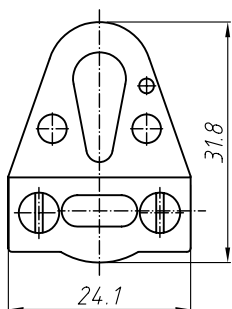
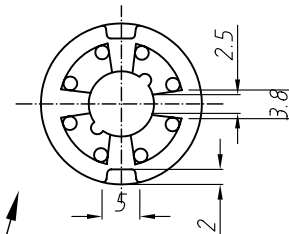
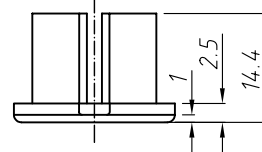
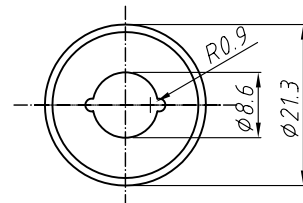
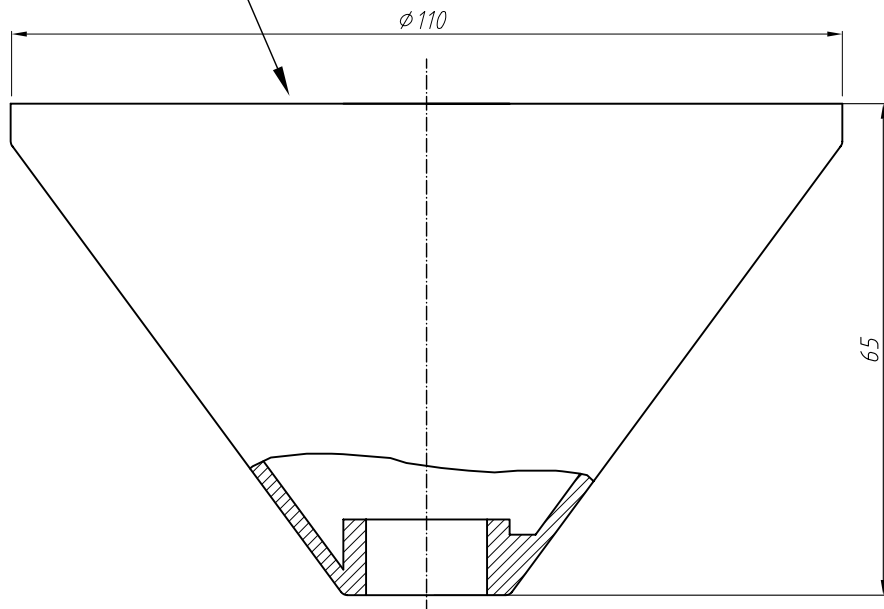
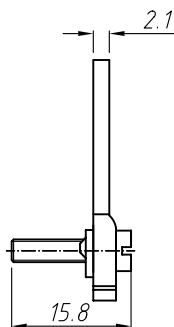


canopy ( cone )  
ser. no. 029.005.300



strain-relief,  
power-feed cable  
ser. no.: 029.055.862



cylindric cap for canopy cone  
for 1 till 2 cable  $\phi$  1.5 mm  
and power-feed cable  $\phi$  8 - 8.6 mm  
ser. no. 029.005.210

type of packing:  
1 set in a  
PE-bag ser. no. . 000.002.001

Scale: 1:1	Size: A4	Tolerance: DIN/ISO 2768 c
Mass: 38,7g	AG:	Material: various
MC:		Surface: various

Date	Name	Designation
Work 18.03.02	S. Lorey	canopy (cone) with cylindric cap for 1 till 2 cable $\phi$ 1,5 mm and power-feed cable $\phi$ 8 till 8,6 mm; white RAL 9010
Change 18.11.03	B. Schwachhöfer	
Release:		

**REUTLINGER**<sup>®</sup>  
Frankfurt am Main - Germany

Drawing No.	K - 193.005.287 - 0 - GB	Sheet
	Ser. No.	1
Replc.f.:	Replcd.	1Sh.

Status	Change	Date	Name	Caution Copyright DIN 34
--------	--------	------	------	--------------------------