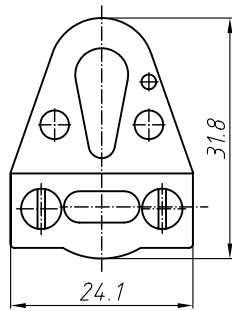
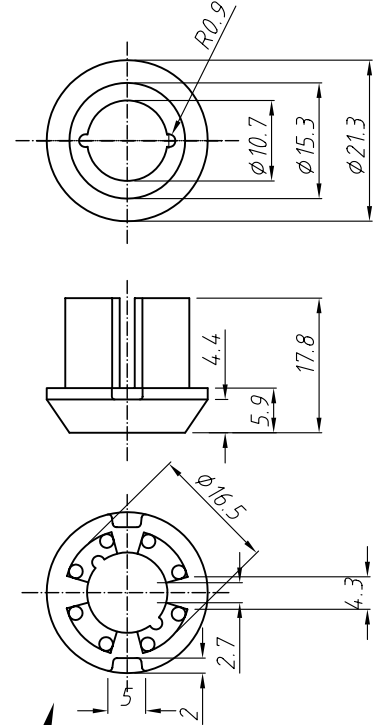
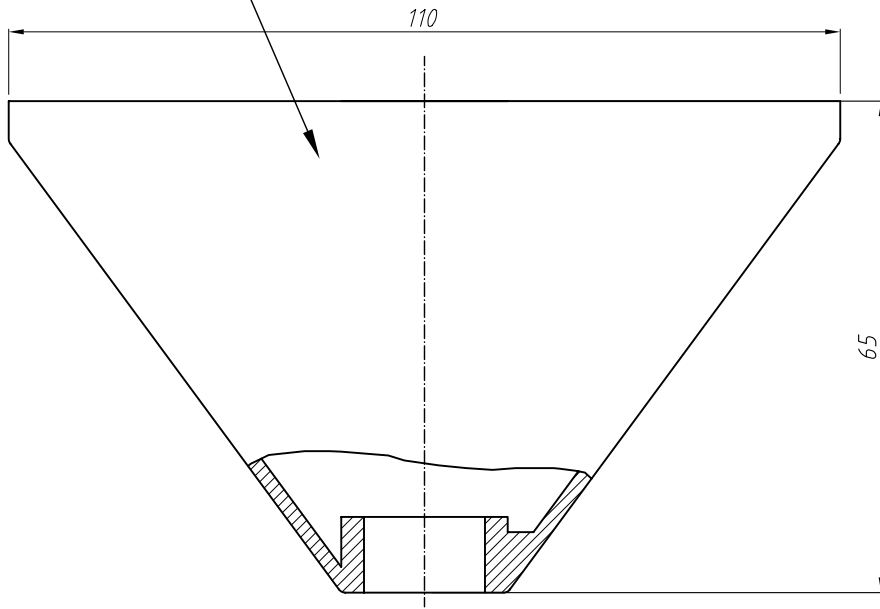
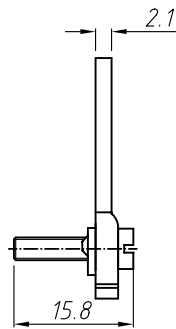


canopy (cone)
ser. no. 029.005.300



strain-relief,
power-feed cable
ser. no.: 029.005.862



smoothing cap for canopy cone
for 1 till 2 cable ϕ 1.5 mm
and power-feed cable ϕ 10 - 10,7 mm
ser. no. 029.005.212

type of packing:
1 set in a
PE-bag ser. no. . 000.002.001

Scale: 1:1	Size: A4	Tolerance: DIN/ISO 2768 c
Mass: 39,0g	AG:	Material: various
MC:		Surface: various

Status	Change	Date	Name
		Work 18.03.02	S. Lorey
		Change 18.11.03	B. Schwachhöfer
		Release:	

Designation	canopy (cone) with smoothing cylindric cap for 1 till 2 cable ϕ 1,5 mm and power-feed cable ϕ 10 till 10,7 mm; white RAL 9010	
Drawing No.	K - 193.005.288 - 0 - GB	Sheet 1
	Ser. No. _____	1 Sh.
Replc.f.:		Replcd.

REUTLINGER®
Frankfurt am Main - Germany
Caution Copyright DIN 34