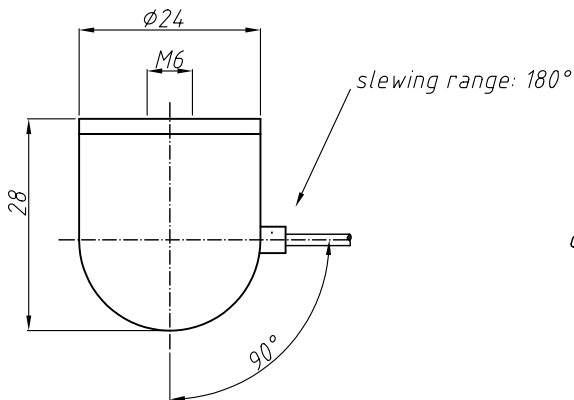
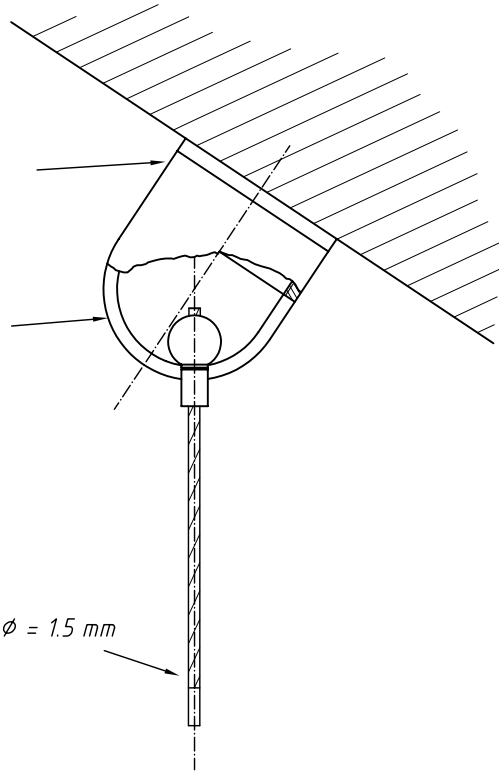


Socket joint large  
M20x1; slit 4.5 mm  
Ser.no.: 029.006.100

ceiling plate large  
Ø 24 mm; M20x1; M6i  
slit 2.0 mm  
Ser.no.: 029.006.101




cable  $\phi = 1.5$  mm

The sleeve's diameter has to be 1mm larger than the cap's slit.

type of packing:  
100 pieces in a PE-bag  
ser. no. 000.002.001

Scale: 1:1	Size: A4	Tolerance: DIN/ISO 2768 c
Mass: 49,1g	AG:	Material: brass
MC:		Surface: nickel plated

Status	Change	Date	Name	Date	Name	
				Work	26.01.04	O.Ziegenhain
				Change		
				Release:		
 Frankfurt am Main - Germany Caution Copyright DIN 34				Drawing No.	K - 193.000.170 - 0 - GB	Sheet
				Replc.f.:		1Sh.

Designation		spherical - joint- attachment without mechanism for cables up to $\phi = 2,5$ mm with sleeve 04
Release:		
Drawing No.		K - 193.000.170 - 0 - GB
		Ser. No. _____
Replc.f.:		Replcd.