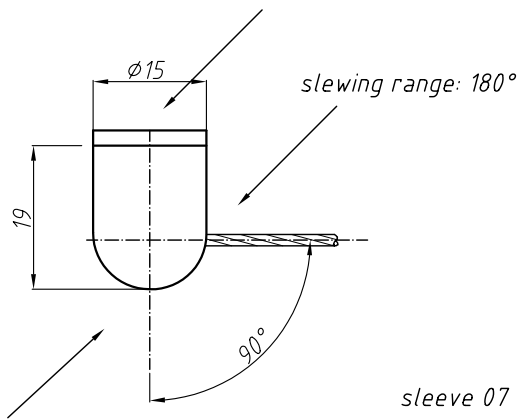
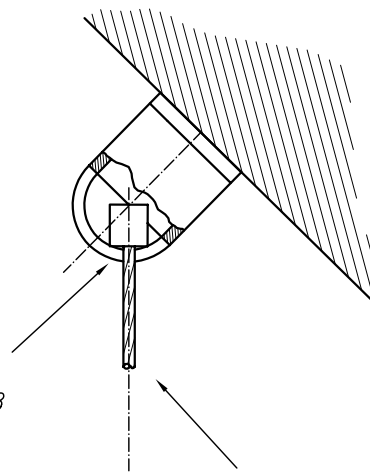


ball-joint, ceiling plate, small
ser.no.: 029.006.104



ball-joint, spherical cap
with slot 3,0 mm
ser.no.: 029.006.103



sleeve 07-1,8
ser no 029.002.808

cable $\phi=1.5$ mm

cable and sleeve
are not contents of the set

type of packing:
100 pcs in a PE-bag
ser. no. 000.002.000

Thread tolerance	Customer
Nut	6H
Bolt	6g

The sleeve's diameter has to be 1mm larger than
the cap's slit.

Scale: 1:1	Size: A4	Tolerance: DIN/ISO 2768 c
Mass: 14,7g	AG:	Material: various
MC:		Surface: various

Status	Change	Date	Name	Date	Name	Designation	Drawing No.	Sheet
				Work	13.10.98	O.Ziegenhain	K - 193.000.177 - A - GB Ser. No. _____	1 1 Sh.
				Change	15.09.06	B.Schwachhöfer		
				Release:				
				 REUTLINGER [®] Frankfurt am Main - Germany				
				Caution Copyright DIN 34		Repl.c.f.:		Repl.cd.