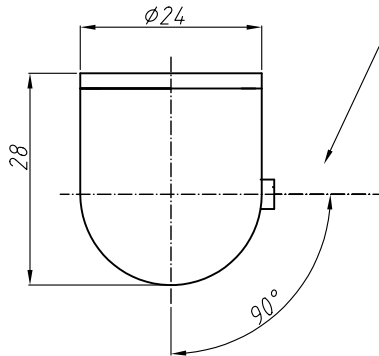


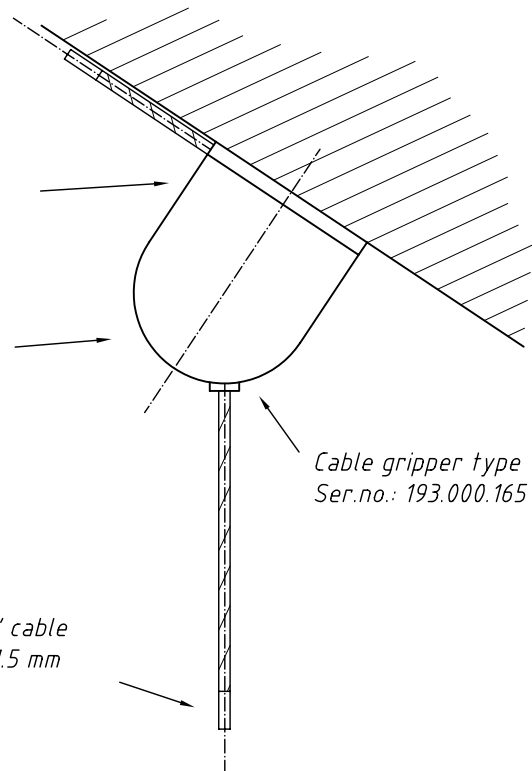
Socket joint large  
M20x1; slit 4.5 mm  
Ser.no.: 029.006.100

ceiling plate large  
ø 24 mm, M20x1; M6i  
slit 2.0 mm  
Ser.no.: 029.006.101



slewing range: 180°


1/16" cable  
ø = 1.5 mm



Cable gripper type 15 K18  
Ser.no.: 193.000.165

type of packing:  
100 pieces in a PE-bag  
ser. no. 000.002.001

Scale: 1:1	Size: A4	Tolerance: DIN/ISO 2768 c
Mass: 71,8 g	AG:	Material: various
MC:		Surface: various

Status	Change	Date	Name	Date	Name	
				Work	27.03.98	0.Ziegenhain
				Change	19.02.04	S.Lorey
				Release:		
 <b>REUTLINGER®</b> Frankfurt am Main - Germany						
Caution Copyright DIN 34						

Designation	spherical - joint - attachment Type 15 for angular ceilings	
Drawing No.	K - 193.000.166 - 0 - GB	Sheet 1
	Ser. No.	1 Sh.
Replc.f.:		Replcd.