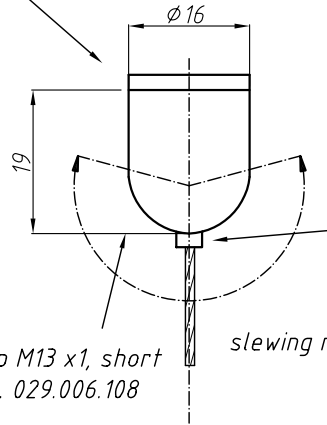


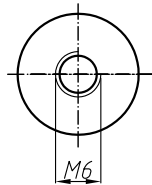
socket joint ceiling plate, short, M6i
ser. no.: 029.006.110



holder type 12 ball
ser. no.: 193.000.017

ball cap M13 x1, short
ser. no. 029.006.108


slewing range: 240°



type of packing:
50 pieces in PE - bag
ser. no. 000.002.001



Scale: 1:1	Size: A4	Tolerance: DIN/ISO 2768 c
Mass: 22,9g	AG:	Material: various
MC:		Surface: various

Status	Change	Date	Name
		Work 20.11.01	0.Ziegenhain
		Change	
		Release:	
 REUTLINGER® Frankfurt am Main - Germany Caution Copyright DIN 34			

Designation	ball joint holder type 12 with holder type 12 K-12, installed slewing range 240° —	Drawing No.	K - 193.000.207 - 0 - GB Ser. No. _____	Sheet	1 1 Sh.
		Replc.f.:		Replcd.	

19.02.2007 12:17:38