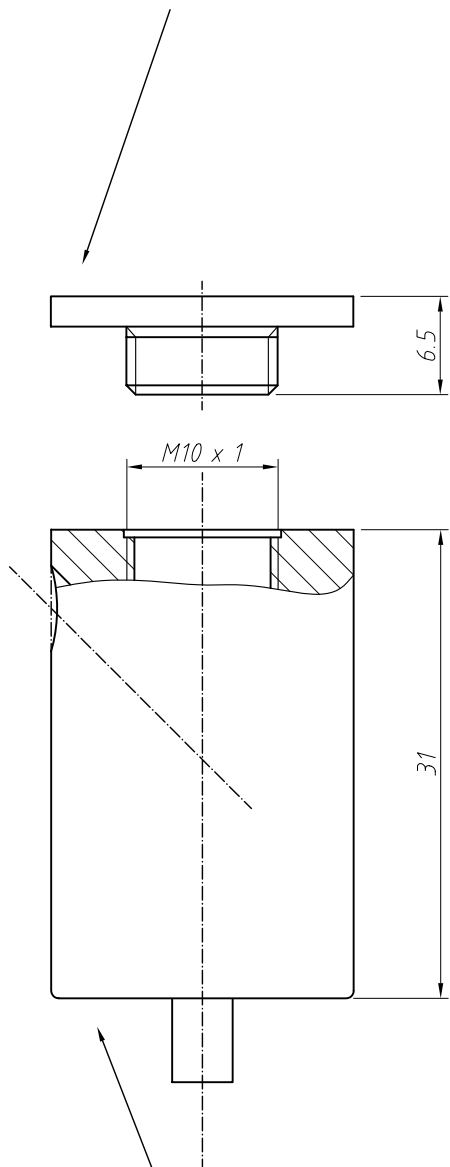
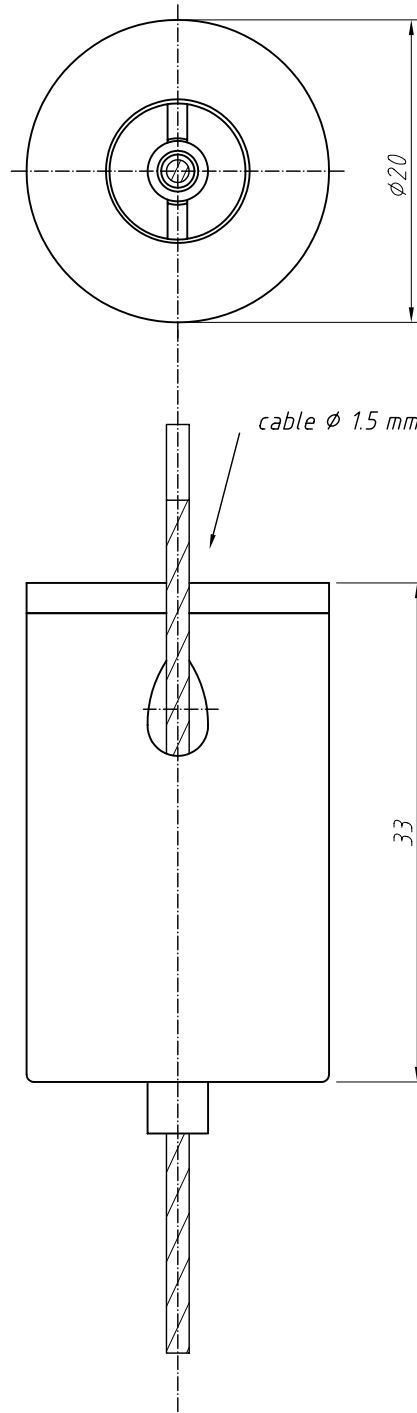


ceiling plate $\phi 20 - M10 \times 1 - M6i$
 ser. no. 029.006.025



holder type 15ZW cylinder
 without ceiling plate
 ser. no. 193.000.224



cable $\phi 1.5 \text{ mm}$

type of packing:
 50 pieces in a
 PE-bag ser.no. 000.002.001

Thread tolerance	Customer
Nut	6H
Bolt	6g



Scale: 2:1	Size: A4	Tolerance: DIN/ISO 2768 c
Mass: 79,2g	AG:	Material: various
MC:		Surface: various

	Date	Name
Work	11.04.,00	B. Schwachhöfer
Change	10.06.05	B. Schwachhöfer

Designation
 combination of type 15 ZW cylinder
 and ceiling plate $\phi 20 - M10 \times 1$



Drawing No.	K - 193.000.214 - 0 - GB	Sheet
	Ser. No. _____	1
		1 Sh.

Status	Change	Date	Name	Replc.f.:	Replcd.
--------	--------	------	------	-----------	---------

19.03.2007 08:37:05