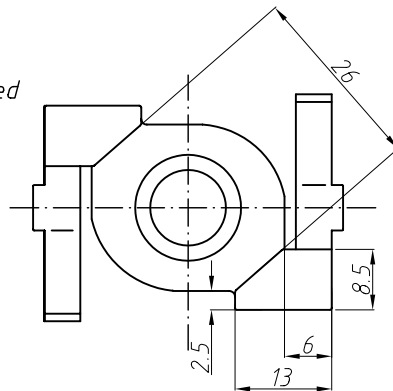


steel sheet
zinc plated + coated



broken edges
no burrs
washed
no shavings
surfaces: $\sqrt{R_a 0.8}$
milled surfaces: $\sqrt{R_a 1.6}$
surfaces not damaged

Thread tolerance	Customer
Nut	--
Bolt	6g

Scale: 1:1	Size: A4	Tolerance: DIN/ISO 2768 c
Mass: 11,6 g	AG:	Material: 1.0037
MC:		Surface: white

		Date	Name	Designation
Work		05.11.04	S. Lorey	Track Clip M6x11 white RAL 9003 with snap-on clip round >Premium<
Change		21.03.07	B. Schwachhöfer	
Release:				
C	brand name	12.01.07	BS	REUTLINGER® Frankfurt am Main - Germany
B	Corner is rounded	05.11.04	S.L.	
A	Dimensions	08.09.03	OZ	
Status	Change	Date	Name	Caution Copyright DIN 34

Drawing No.	K - 029.005.135 - C - GB	Sheet	1
	Ser. No.		1Sh
Replc.f.:		Replcd.	