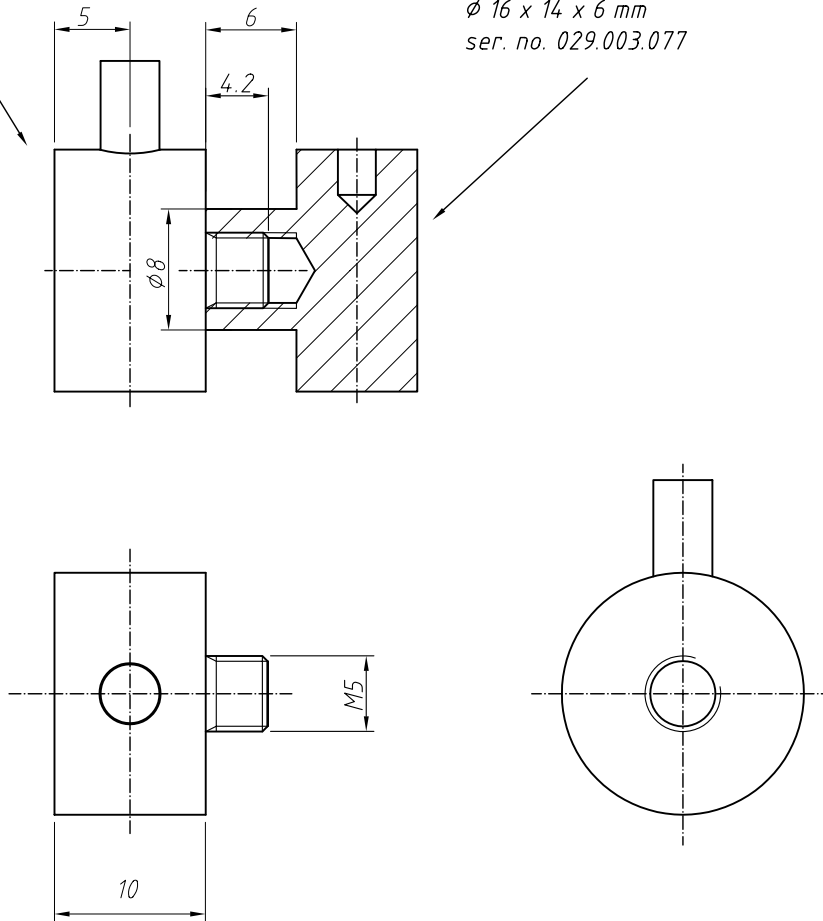


holder type 15 Universal
 Q M 5 x 4.3 mm
 ser. no. 193.005.418

cylinder head stud M5i;
 Ø 16 x 14 x 6 mm
 ser. no. 029.003.077



label:
 1 unit per bag
 ser.no.:000.002.004

Scale: 2:1	Size: A4	Tolerance: DIN/ISO 2768 c
Mass: 30,2g	AG:	Material: various
MC:		Surface: various

	Date	Name
Work	25.09.02	B. Schwachhöfer
Change	15.11.04	B. Schwachhöfer
Release:		
REUTLINGER® Frankfurt am Main - Germany Caution Copyright DIN 34		

Designation	Display holder >Avant 60<	
Drawing No.	K - 193.005.420 - 0 - GB	Sheet 1
	Ser. No. _____	1 Sh.
Replc.f.:		Replcd.

10.07.2008 15:51:11