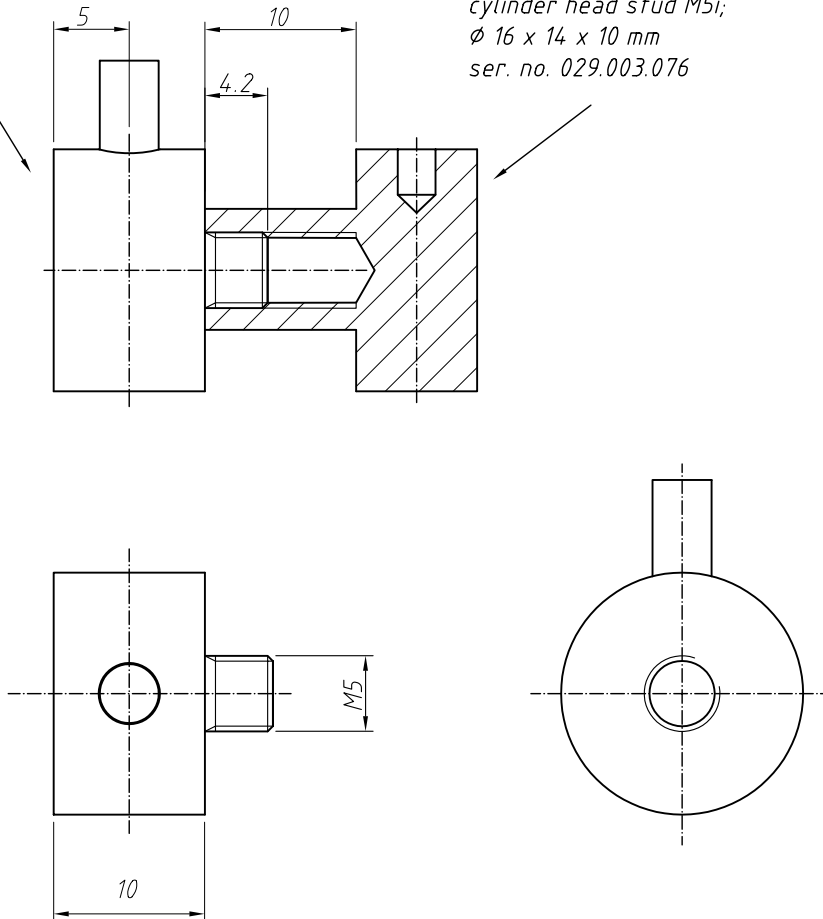


holder type 15 Universal  
 Q M 5 x 4.3 mm  
 ser. no. 193.005.418

cylinder head stud M5i;  
 Ø 16 x 14 x 10 mm  
 ser. no. 029.003.076



label:  
 1 unit per bag  
 ser.no.:000.002.004

Scale: 2:1	Size: A4	Tolerance: DIN/ISO 2768 c
Mass: 31,3g	AG:	Material: various
MC:		Surface: various

	Date	Name
Work	25.09.02	B. Schwachhöfer
Change	15.11.04	B. Schwachhöfer

Designation	Display holder >Avant 100<
-------------	----------------------------

Release:  
**REUTLINGER®**  
 Frankfurt am Main - Germany  
 Caution Copyright DIN 34

Drawing No.	K - 193.005.421 - 0 - GB	Sheet	1
	Ser. No.		1Sh.

Status	Change	Date	Name	Repl.c.f.:	Repl.cd.
--------	--------	------	------	------------	----------

10.07.2008 15:52:28