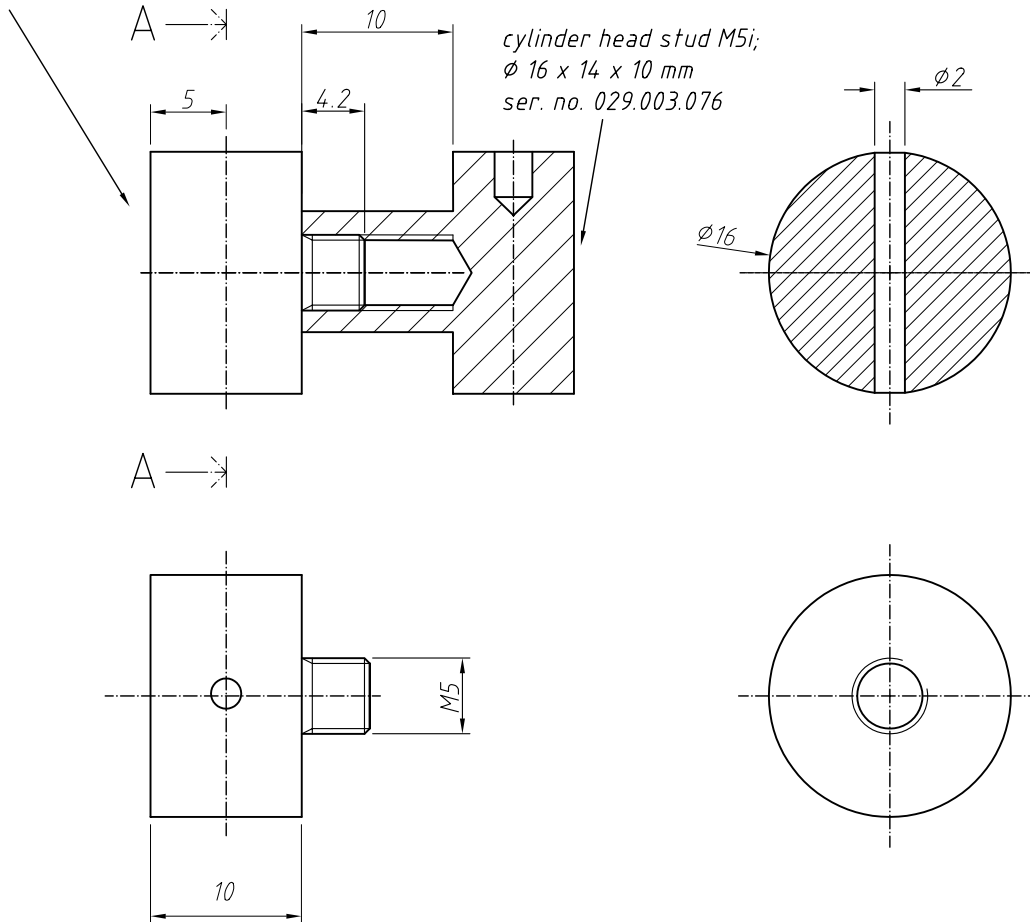



universal cable guide  
ser.no. 193.005.242

section A - A



label:  
1 unit per bag  
ser.no.:000.002.004

Scale: 2:1	Size: A4	Tolerance: DIN/ISO 2768 c
Mass: 33,8g	AG:	Material: various
MC:		Surface: various

	Date	Name
Work	06.12.02	B. Schwachhöfer
Change	15.11.04	B. Schwachhöfer
Release:		
 <b>REUTLINGER®</b> Frankfurt am Main - Germany		
Status	Change	Date

Designation	cable guide >Avant 100<	
Drawing No.	K - 193.005.425 - 0 - GB	Sheet 1
	Ser. No. _____	1 Sh.
Replc.f.:		Replcd.

10.07.2008 15:53:52