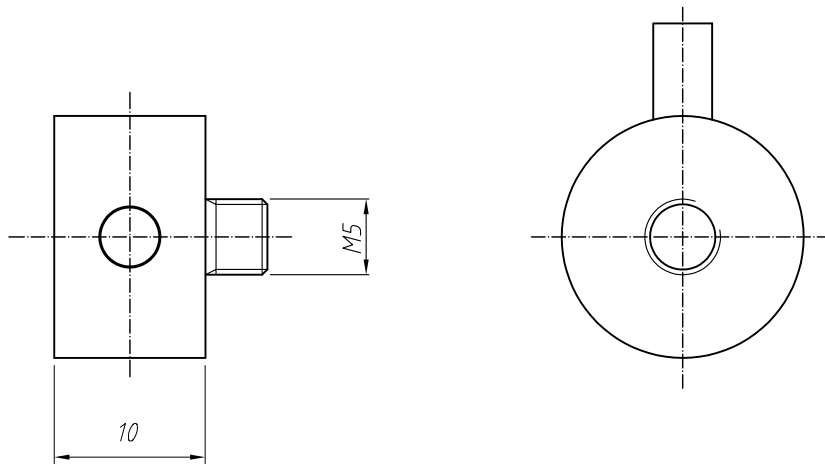
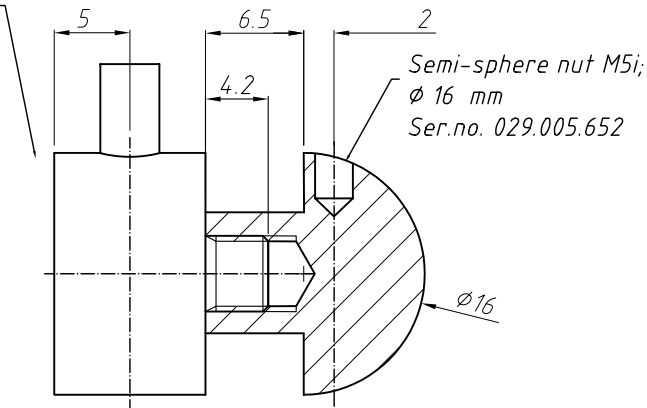


Glider Type 15 Universal
 Q M 5 x 4.3 mm
 Ser.no.: 193.005.418



50 pcs in PE-bag
 000.002.001

Thread tolerance	Customer
Nut	6H
Bolt	6g

Scale: 2:1	Size: A4	Tolerance: DIN/ISO 2768 c
Mass: 33,6g	AG:	Material: various
MC:		Surface: various

Status	Change	Date	Name	Designation	Drawing No.	Sheet
		Work	11.11.04	B. Schwachöfer	K - 193.000.878 - 0 - EN Ser. No. _____	1
		Change				7 Sh.
		Release:				
REUTLINGER® Frankfurt am Main - Germany Caution Copyright DIN 34				Replc.f.:	Replcd.	

11.07.2008 09:56:35