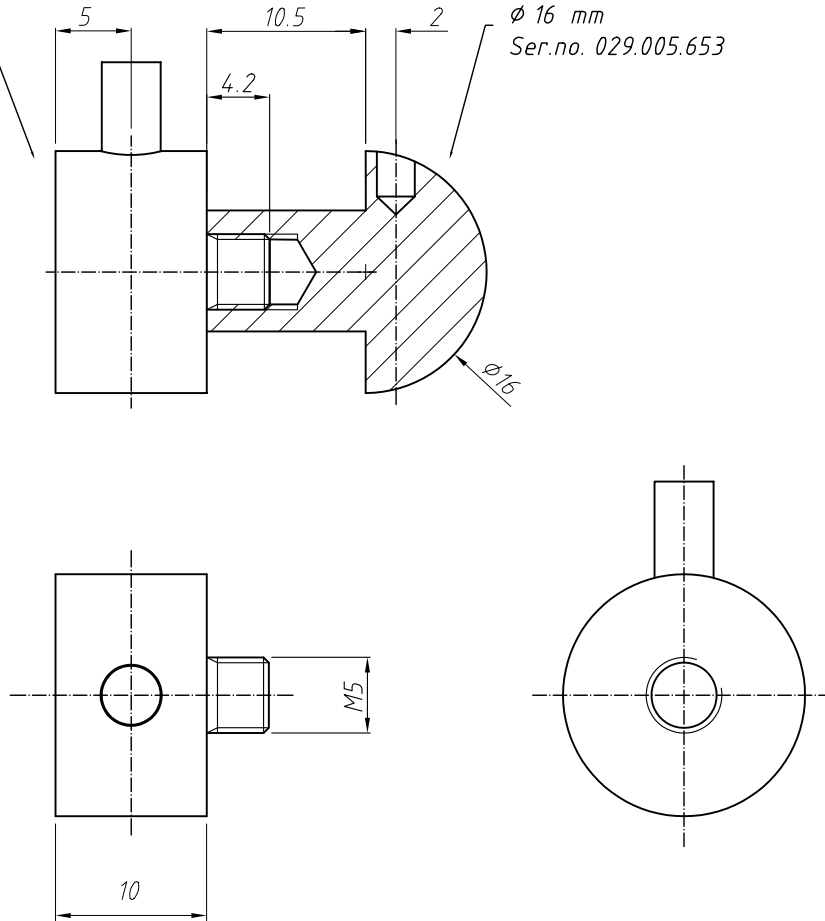


Glider Type 15 Universal  
 Q M 5 x 4.3 mm  
 Ser.no.: 193.005.418

Semisphere nut M5i;  
 Ø 16 mm  
 Ser.no. 029.005.653



Thread tolerance	Customer
Nut	6H
Bolt	6g

Scale: 2:1	Size: A4	Tolerance: DIN/ISO 2768 c
Mass: 30,2g	AG:	Material: various
MC:		Surface: various

	Date	Name
Work	11.11.04	B. Schwächer
Change		
Release:		

Designation	Display - glider >Avant-Semisphere< type 15 10,5 mm
-------------	---

<b>REUTLINGER®</b> Frankfurt am Main - Germany			
Caution Copyright DIN 34			

Drawing No.	K - 193.000.879 - 0 - EN	Sheet	1
	Ser. No.		1Sh

Status	Change	Date	Name	Replc.f.:	Replcd.
--------	--------	------	------	-----------	---------

11.07.2008 10:44:15