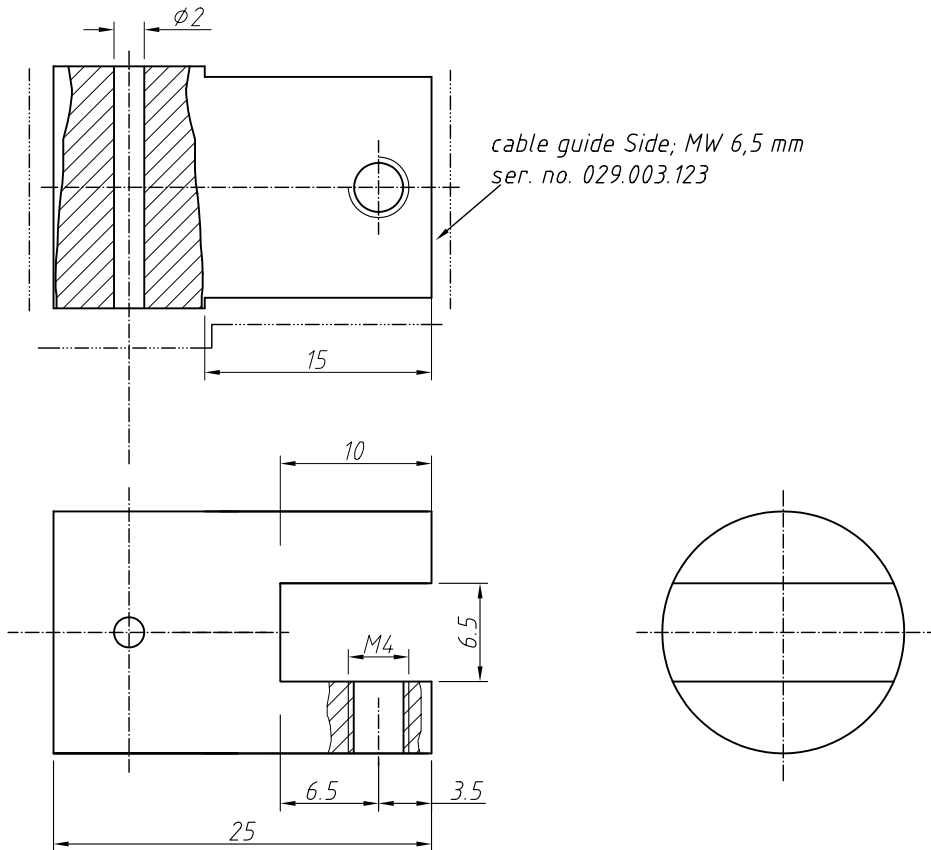


STORE DISPLAY!
INDIVIDUALLY NICKEL-PLATED!



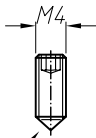
*cable guide Side; MW 6,5 mm
 ser. no. 029.003.123*

assembly accessories
 scale 1:1

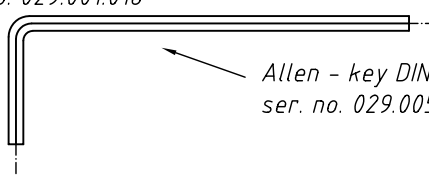
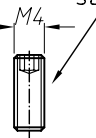
*screw M4; 10,2-15,1
 ser.no. 029.001.016*



*threaded bolt M4x10; DIN EN ISO 4026
 ser. no. 029.001.018*



*threaded bolt DIN EN ISO 4026; M4x10-4.5H
 ser. no. 029.001.017*



*Allen - key DIN 911; SW2 for M4
 ser. no. 029.005.401*

*label:
 1 unit per bag
 ser.no.:000.002.004*

Scale: 2:1	Size: A4	Tolerance: DIN/ISO 2768 c
Mass: 40,1g	AG:	Material: various
MC:		Surface: various

Date	Name	Designation
Work 27.09.02	O.Ziegenhain	cable guide >Side LR 65<
Change 08.11.06	S.Lorey	
Release:		

REUTLINGER®
 Frankfurt am Main - Germany

Drawing No.	K - 193.005.472 - A - GB	Sheet
	Ser. No. _____	1
		1 Sh.

Status	Change	Date	Name	Caution Copyright DIN 34
--------	--------	------	------	--------------------------

Replc.f.:	Replcd.
-----------	---------

11.07.2008 10:59:48