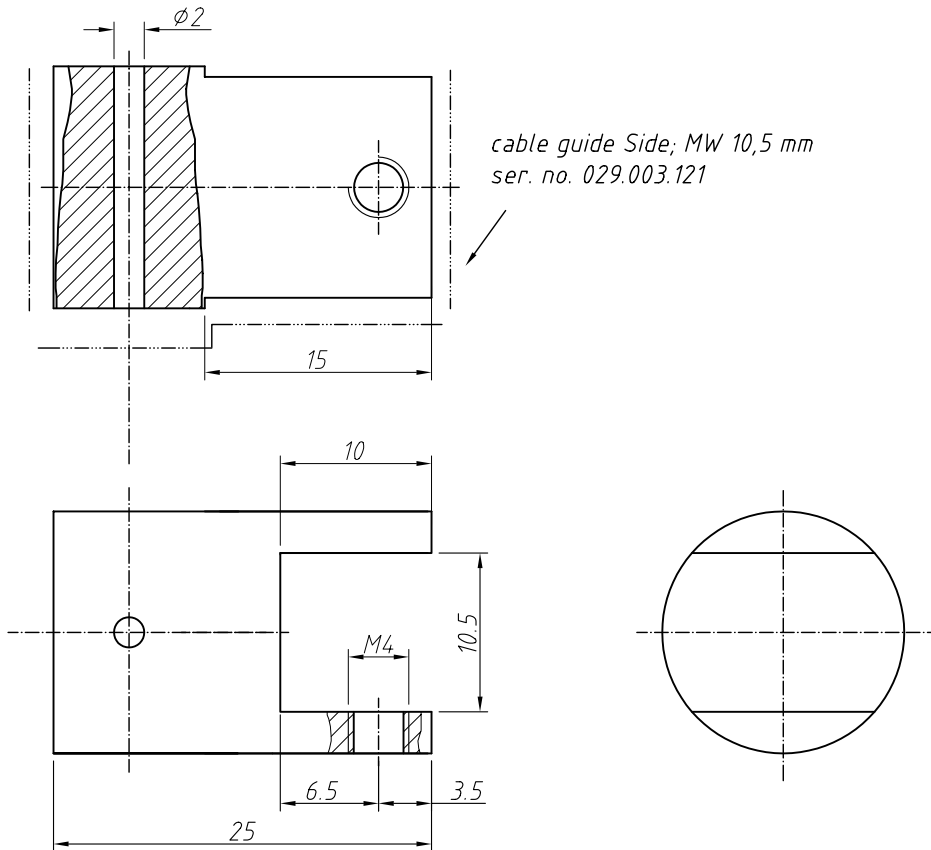


STORE DISPLAY!
INDIVIDUALLY NICKEL-PLATED!

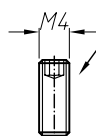
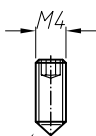


assembly accessories
 scale 1:1

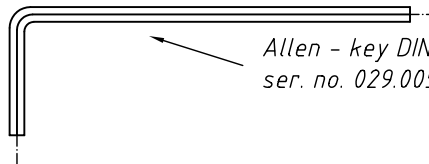
screw M4; 10,2-15,1
 ser.no. 029.001.016



threaded bolt M4x10; DIN EN ISO 4026
 ser. no. 029.001.018



threaded bolt DIN EN ISO 4027; M4x10-4.5H
 ser. no. 029.001.017



Allen - key DIN 911; SW2 for M4
 ser. no. 029.005.401

label:
 1 unit per bag
 ser.no.:000.002.004

Scale: 2:1	Size: A4	Tolerance: DIN/ISO 2768 c
Mass: 35,7g	AG:	Material: various
MC:		Surface: various

	Date	Name
Work	27.09.02	O.Ziegenhain
Change	08.11.06	S.Lorey
Release:		

Designation	cable guide >Side LR 105<
-------------	---------------------------

 REUTLINGER® Frankfurt am Main - Germany Caution Copyright DIN 34			
Status	Change	Date	Name
A	DIN EN ISO	08.11.06	SL

Drawing No.	K - 193.005.473 - A - GB	Sheet	1
	Ser. No.		1 Sh.
Replc.f.:		Replcd.	

11.07.2008 11:01:49