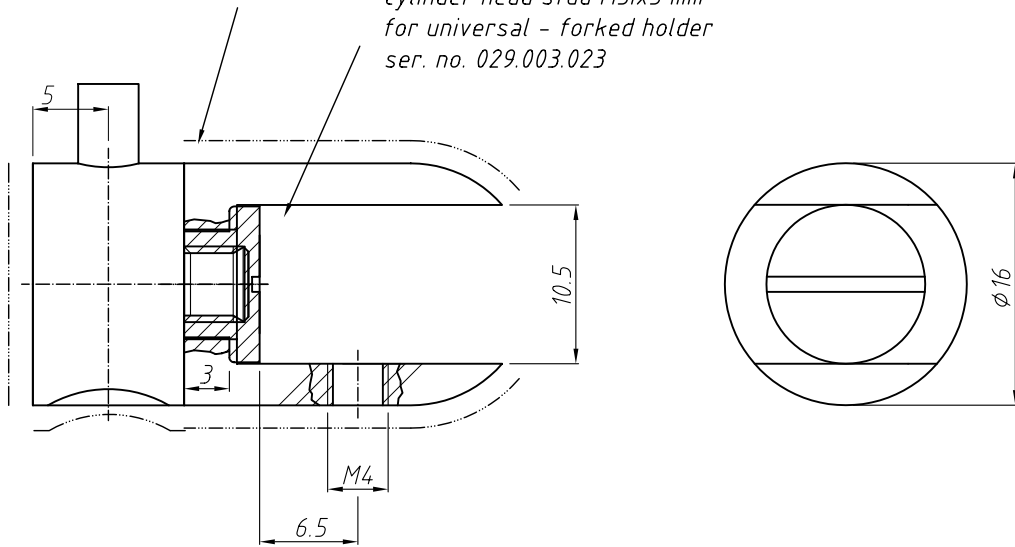
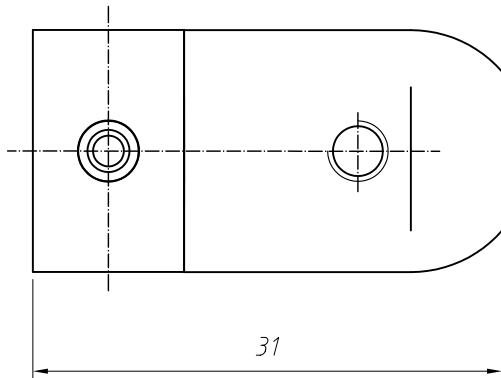


holder type 15 universal
Q M5x4.3
ser. no. 193.005.418

cylinder head stud M5x5 mm
for universal - forked holder
ser. no. 029.003.023



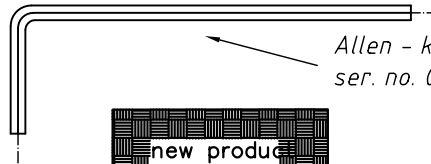
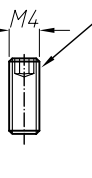
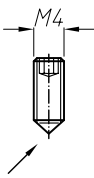
universal - fork; M4
16x15 mm; with mouth width 6.5 mm
ser. no. 029.003.116



assembly accessories
scale 1:1

screw M4; 10,2-15,1
ser.no. 029.001.016

threaded bolt M4x10; DIN EN ISO 4026
ser. no. 029.001.018



Allen - key DIN 911; SW2 for M4
ser. no. 029.005.401

threaded bolt DIN EN ISO 4027; M4x10-45H
ser. no. 029.001.017



type of packing:
1 pcs in a bunch
ser. no. 000.002.004

Scale: 2:1	Size: A4	Tolerance: DIN/ISO 2768 c
Mass: 34,5 g	AG:	Material: various
MC:		Surface: various

Status	Change	Date	Name	Date	Name
				Work	15.06.05 S.Lorey
				Change	08.11.06 S.Lorey
				Release:	
			REUTLINGER® Frankfurt am Main - Germany Caution Copyright DIN 34		

Designation	display holder >Universal soft 105<	
Drawing No.	K - 193.001.860 - A - GB	Sheet 1
	Ser. No. _____	1 Sh.
Replc.f.:		Replcd.

08.01.2007 11:01:22