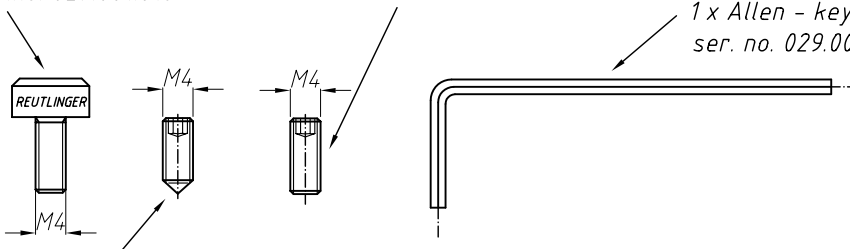


assembly accessories 2x
scale 1:1

screw M4; 10,2-15,1
ser.no. 029.001.016

threaded bolt M4x10 DIN EN ISO 4026
ser. no. 029.001.018

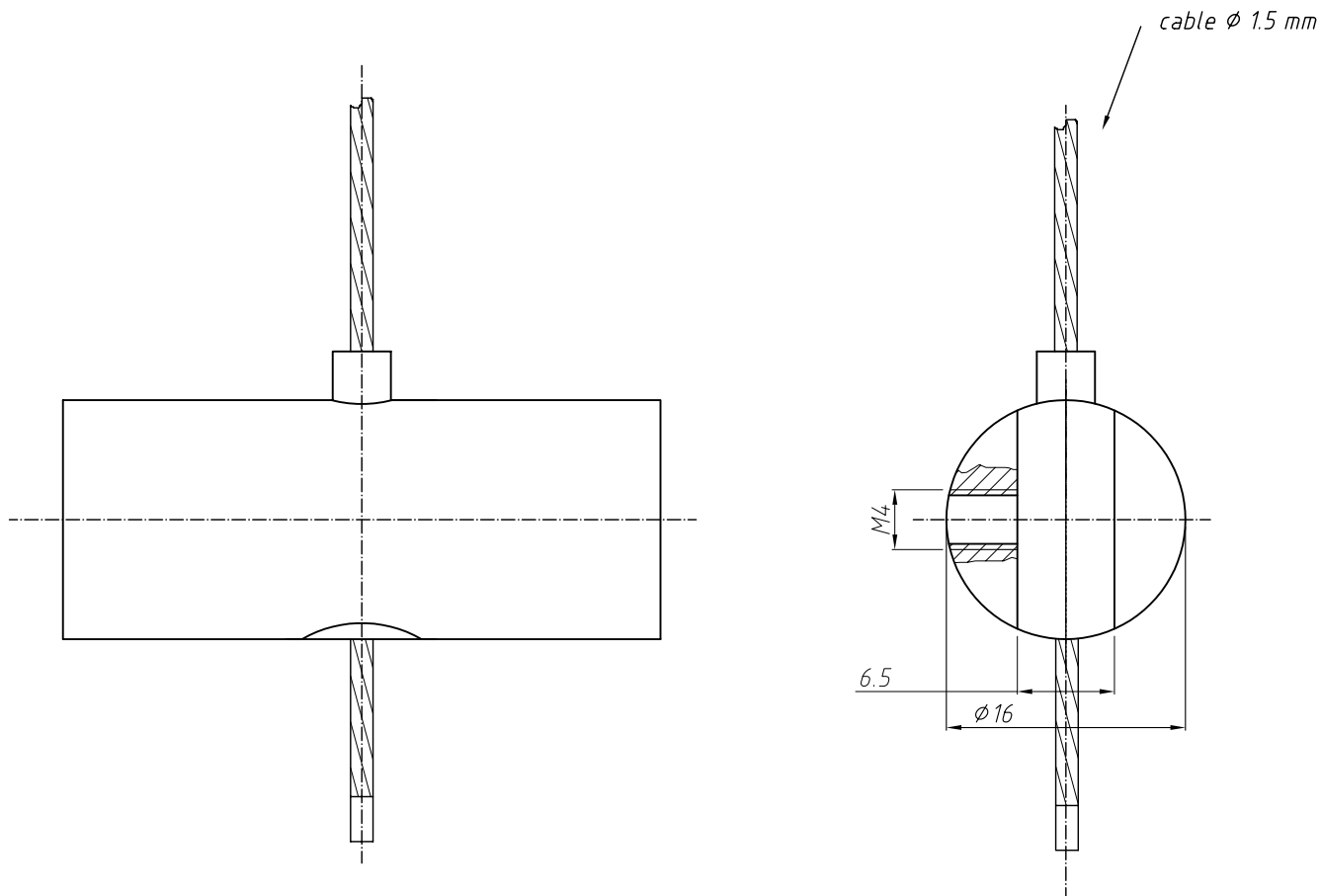
1 x Allen - key DIN 911; SW2 for M4
ser. no. 029.005.401



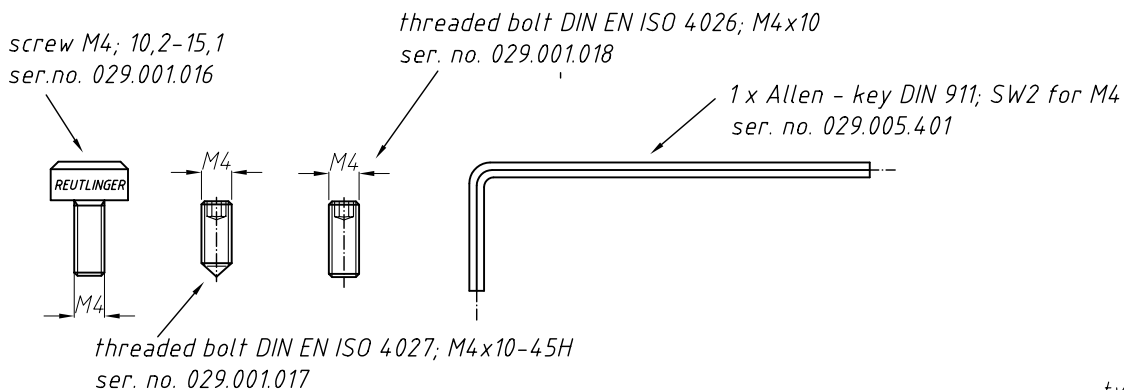
threaded bolt DIN DIN EN ISO 4027
M4x10-45H
ser. no. 029.001.017



				Scale: 2:1	Size: A4	Tolerance: DIN/ISO 2768 c	
				Mass: 49,0g	AG:	Material: various	
				MC:		Surface: various	
			Date	Name	Designation		
			Work 16.12.04	O.Ziegenhain	display holder >Center 105< for displays up to 6 - 10 mm thickness		
			Change 08.11.06	S.Lorey			
			Release:				
			 REUTLINGER® Frankfurt am Main - Germany Caution Copyright DIN 34			Drawing No.	
						K - 193.001.072 - A - GB	
A	DIN EN ISO	08.11.06	SL	Ser. No. _____			7 Sh.
Status	Change	Date	Name	Replc.f.:		Replcd.	



assembly accessories 2x
scale 1:1



type of packing:
100 pieces in a
PE-bag ser.no. 000.002.001



				Scale: 2:1	Size: A4	Tolerance: DIN/ISO 2768 c	
				Mass: 57,5g	AG:	Material: various	
				MC:		Surface: various	
			Date	Name	Designation display holder >Center 65< for displays up to 2 - 6 mm thickness		
			Work 16.12.04	O.Ziegenhain			
			Change 08.11.06	S.Lorey			
			Release:				
			REUTLINGER®			Drawing No.	K - 193.001.073 - A - GB Ser. No. _____
			Frankfurt am Main - Germany			Sheet	
Status	Change	Date	Name	Caution Copyright DIN 34			1 7 Sh.
				Repl.c.f.:		Repl.c.d.	