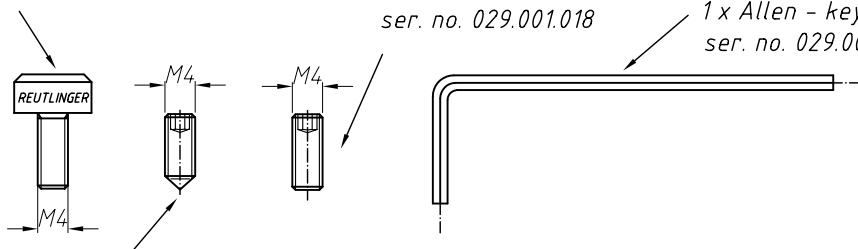


assembly accessories 2x  
scale 1:1

screw M4; 10,2-15,1  
ser.no. 029.001.016

threaded bolt M4x10  
DIN EN ISO 4026  
ser. no. 029.001.018

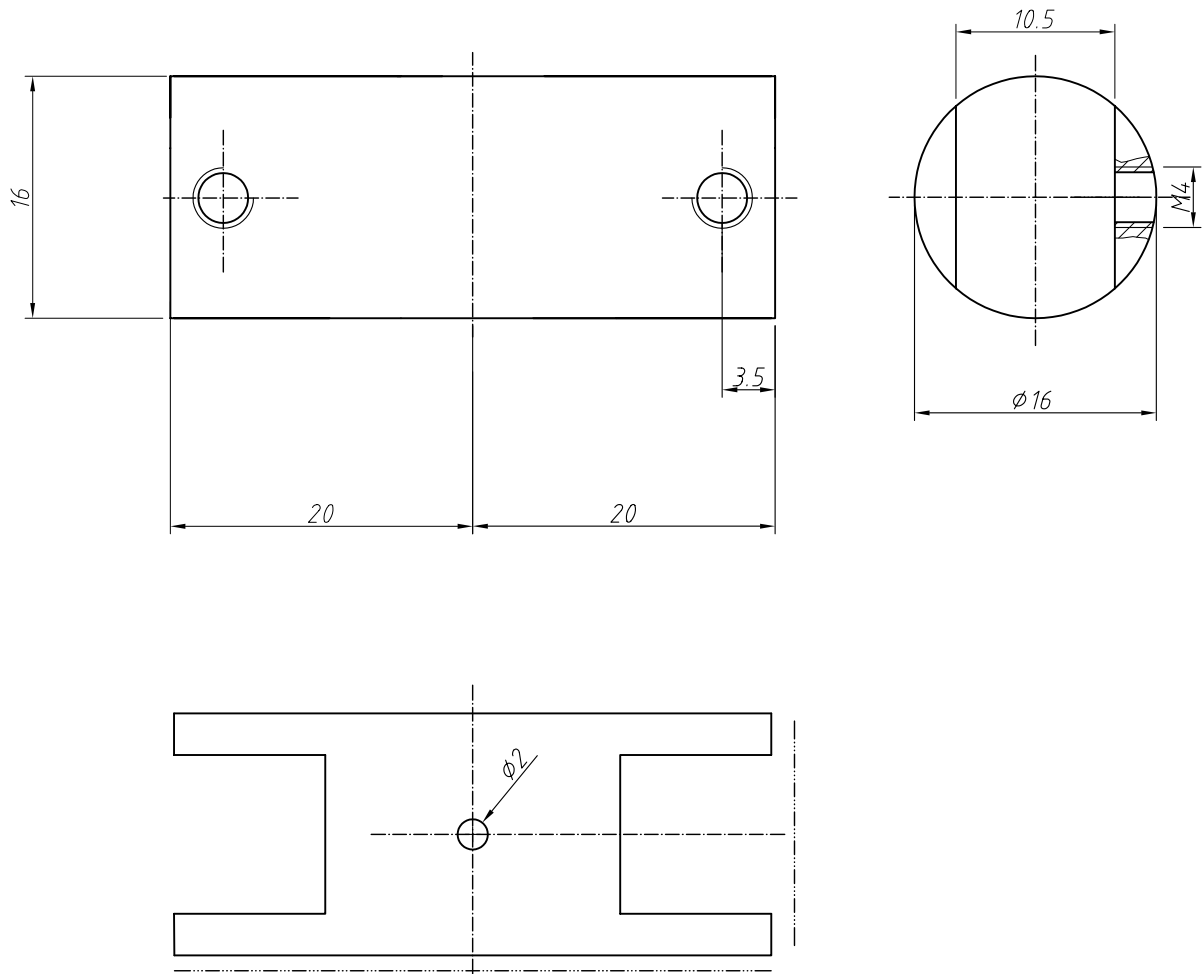
1 x Allen - key DIN 911; SW2 for M4  
ser. no. 029.005.401



threaded bolt DIN EN ISO 4027; M4x10-45H  
ser. no. 029.001.017

				Scale: 2:1	Size: A4	Tolerance: DIN/ISO 2768 c	
				Mass: 65,5 g	AG:	Material: various	
				MC:		Surface: various	
			Date	Name	Designation display guide >Center 65< for displays up to 2 - 6 mm thickness		
			Work 02.02.05	S.Lorey			
			Change 09.11.06	S.Lorey			
			Release:				
			<b>REUTLINGER®</b> Frankfurt am Main - Germany			Drawing No.	K - 193.006.005 - A - GB Ser. No. _____
			Caution Copyright DIN 34			Sheet	
Status	Change	Date	Name			1	
				Repl.c.f.:		1 Sh.	

19.04.2007 10:12:06

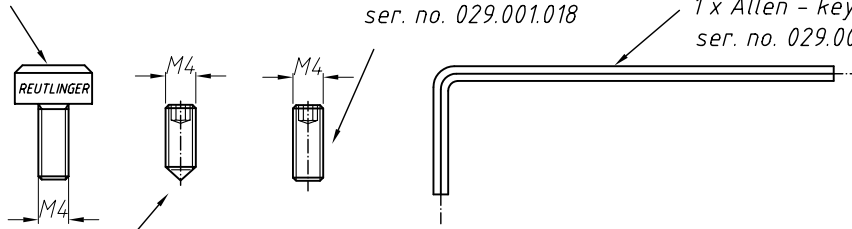


assembly accessories 2x  
scale 1:1

screw M4; 10,2-15,1  
ser.no. 029.001.016

threaded bolt M4x10  
DIN EN ISO 4026  
ser. no. 029.001.018

1 x Allen - key DIN 911; SW2 for M4  
ser. no. 029.005.401



threaded bolt DIN EN ISO 4027; M4x10-45H  
ser. no. 029.001.017

				Scale: 2:1	Size: A4	Tolerance: DIN/ISO 2768 c	
				Mass: 57,1g	AG:	Material: various	
				MC:		Surface: various	
			Date	Name	Designation		
			Work	02.02.05	S.Lorey	display guide >Center 105< for displays up to 6 - 10 mm thickness	
			Change	09.11.06	S.Lorey		
			Release:				
			<b>REUTLINGER®</b>			Drawing No.	Sheet
			Frankfurt am Main - Germany			K - 193.006.006 - A - GB	1
			Caution Copyright DIN 34			Ser. No.	1 Sh.
Status	Change	Date	Name	Repl.c.f.:		Replcd.	