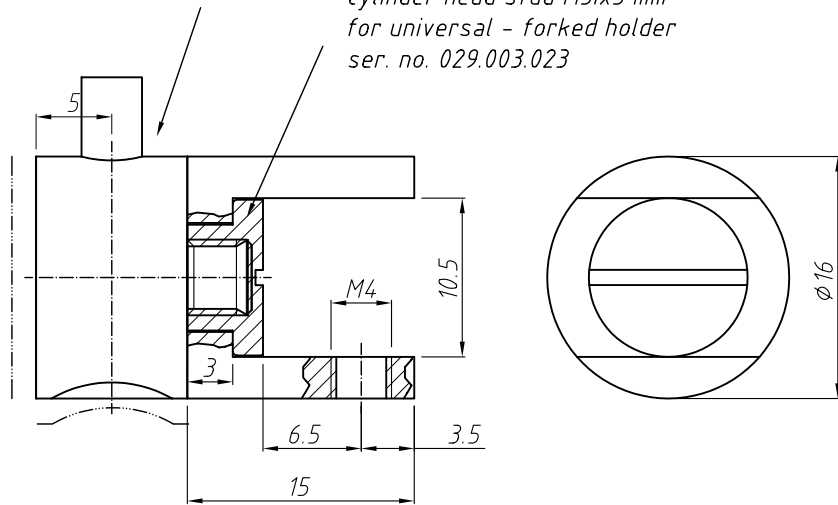


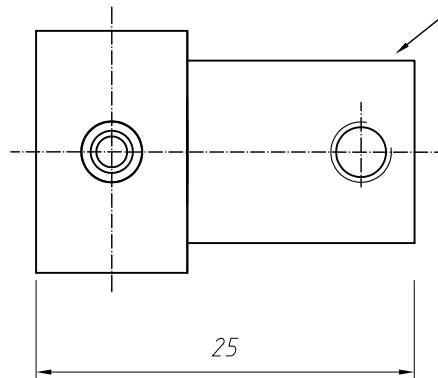


holder type 15 universal
Q M5x4.3
ser. no. 193.005.418

cylinder head stud M5x5 mm
for universal - forked holder
ser. no. 029.003.023



universal - fork; M4
16x15 mm; with mouth width 10.5 mm
ser. no. 029.003.024

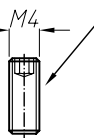
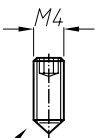


assembly accessories

scale 1:1

screw M4; 10,2-15,1
ser.no. 029.001.016

threaded bolt M4x10; DIN EN ISO 4026
ser. no. 029.001.018



Allen - key DIN 911; SW2 for M4
ser. no. 029.005.401

threaded bolt DIN EN ISO 4027; M4x10-45H
ser. no. 029.001.017

label:
1 unit per bag
ser.no.:000.002.004

Scale: 2:1	Size: A4	Tolerance: DIN/ISO 2768 c
Mass: 32,9 g	AG:	Material: various
MC:		Surface: various

Date	Name	Designation
Work 09.08.02	S.Lorey	display holder >Universal 105<
Change 08.11.06	S.Lorey	
Release:		

REUTLINGER
Frankfurt am Main - Germany

Drawing No. K - 193.005.402 - A - GB
Ser. No. _____

Sheet 1
1 Sh.

Status Change Date Name Caution Copyright DIN 34

Repl.c.f.: Repl.cd.