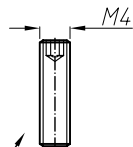
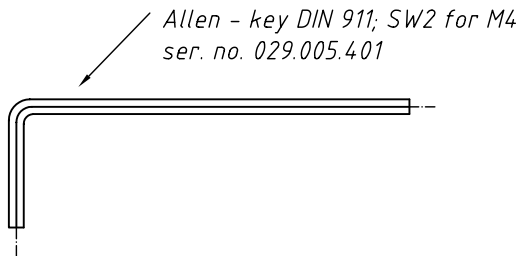


assembly accessories
scale 1:1



threaded bolt DIN EN ISO 4026
M4x14
ser. no. 029.005.162



Scale: 2:1	Size: A4	Tolerance: DIN/ISO 2768 c
Mass: 41,7 g	AG:	Material: various
MC:		Surface: various

Status	Change	Date	Name
B	DIN EN ISO 4026	20.11.06	SL
A	assembly accessories	14.02.05	BS

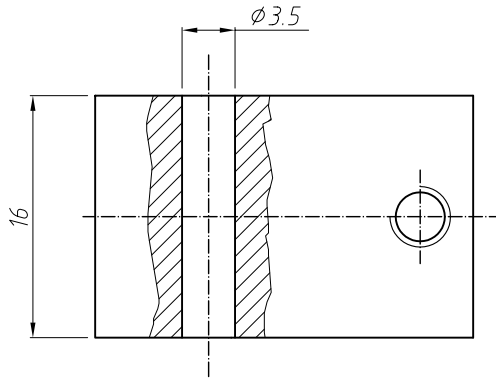
Date	Name
Work 01.02.05	S.Lorey
Change 20.11.06	S.Lorey
Release:	

Designation	rod guide >type 30 Side 105<	
Drawing No.	K - 193.001.067 - B - GB	Sheet 1
	Ser. No. _____	1 Sh.
Replc.f.:		Replcd.

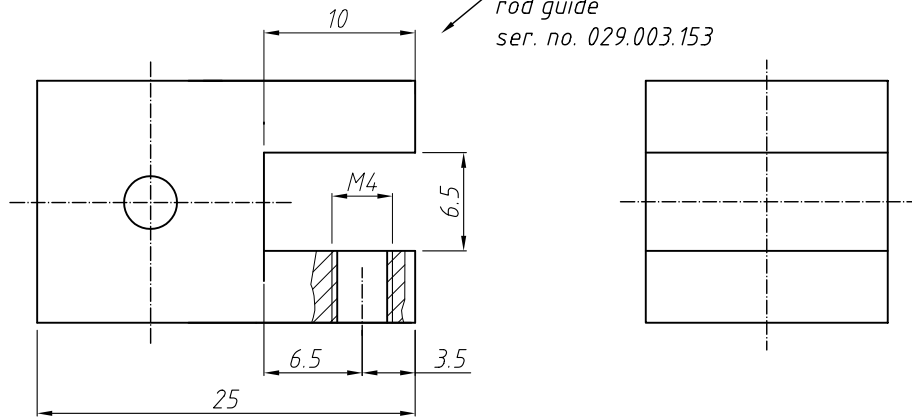
11.07.2008 11:24:59

REUTLINGER
Frankfurt am Main - Germany

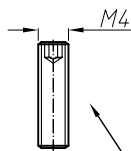
Caution Copyright DIN 34



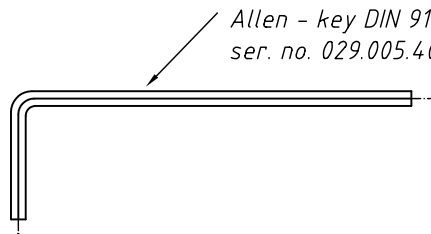
fork >Side 65 Bo. 3,5<
rod guide
ser. no. 029.003.153



assembly accessories
scale 1:1




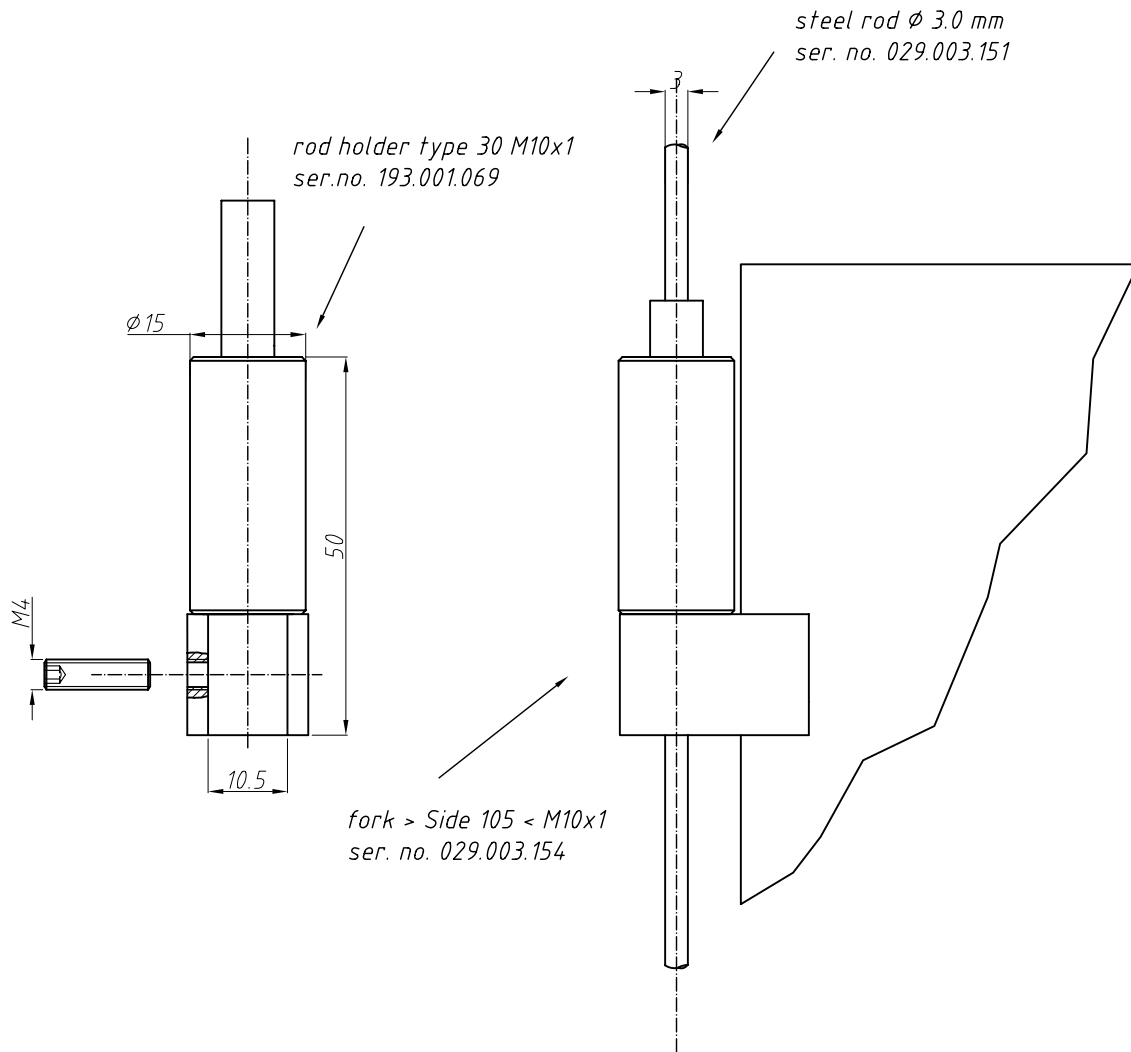
threaded bolt DIN EN ISO 4026
M4x14
ser. no. 029.005.162



Allen - key DIN 911; SW2 for M4
ser. no. 029.005.401

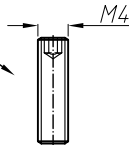
11.07.2008 11:24:23

				Scale: 2:1	Size: A4	Tolerance: DIN/ISO 2768 c	
				Mass: 45,7g	AG:	Material: various	
				MC:		Surface: various	
			Date	Name	Designation		
			Work 01.02.05	S.Lorey	rod guide >type 30 Side 65<		
			Change 20.11.06	S.Lorey			
			Release:				
			 REUTLINGER® Frankfurt am Main - Germany			Drawing No.	Sheet
						K - 193.001.068 - B - GB Ser. No. _____	
Status	Change	Date	Name	Caution Copyright DIN 34			Repl.c.f.
							Repl.c.d.



assembly accessories
scale 1:1

threaded bolt DIN EN ISO 4026
M4x14
ser. no. 029.005.162



Allen - key DIN 911; SW2 for M4
ser. no. 029.005.401

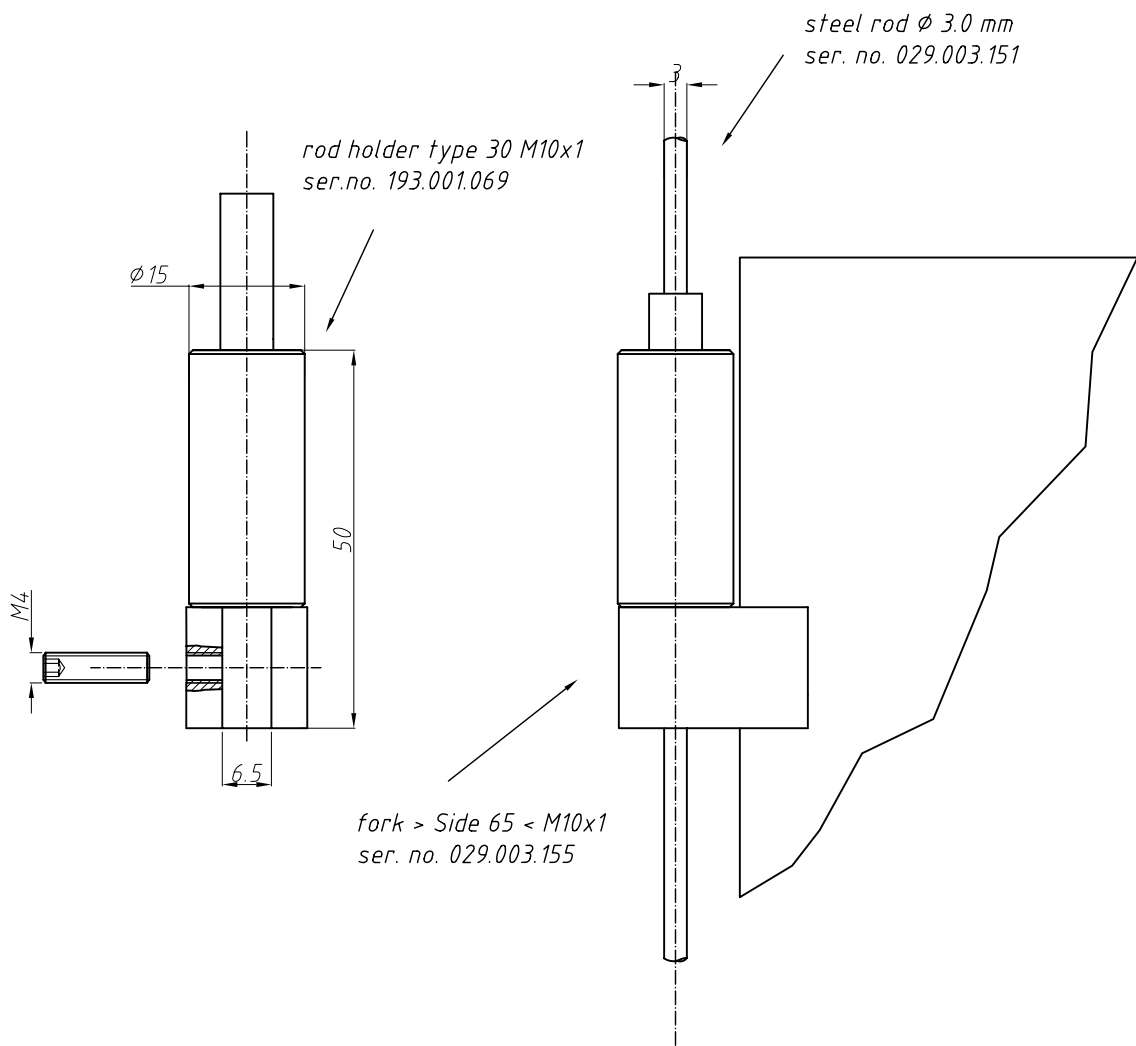


type of packing:
50 pieces in one
PE-bag ser.no. 000.002.001



				Scale: 1:1	Size: A4	Tolerance: DIN/ISO 2768 c	
				Mass: 76,6 g	AG:	Material: various	
				MC:		Surface: various	
			Date	Name	Designation		
			Work 19.01.05	O.Ziegenhain	rod holder >type 30 Side 105< for displays up to 6 - 10 mm thickness		
			Change 20.11.06	S.Lorey			
			Release:				
			 Frankfurt am Main - Germany			Drawing No.	Sheet
						Caution Copyright DIN 34	
						Ser. No.	7 Sh.
Status	Change	Date	Name		Replc.f.:	Replcd.	

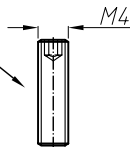
18.04.2007 14:41:27



assembly accessories

scale 1:1

threaded bolt DIN EN ISO 4026
M4x14
ser. no. 029.005.162



Allen - key DIN 911; SW2 for M4
ser. no. 029.005.401



type of packing:
50 pieces in one
PE-bag ser.no. 000.002.001



				Scale: 1:1	Size: A4	Tolerance: DIN/ISO 2768 m	
				Mass: 80,1g	AG:	Material: various	
				MC:		Surface: various	
			Date	Name	Designation		
			Work 19.01.05	O.Ziegenhain	rod holder > type 30 Side 65< for displays up to 2 - 6 mm thickness		
			Change 20.11.06	S.Lorey			
			Release:				
			 Frankfurt am Main - Germany			Drawing No.	Sheet
						K - 193.001.071 - B - GB Ser. No. _____	
Status	Change	Date	Name	Caution Copyright DIN 34			Replc.f.:
							Replcd.

18.04.2007 14:39:47