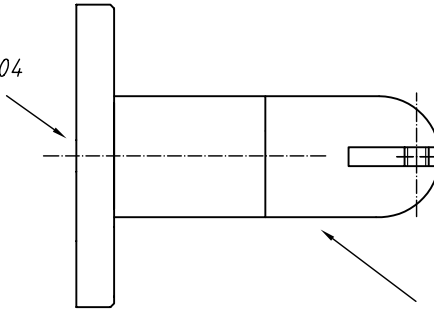


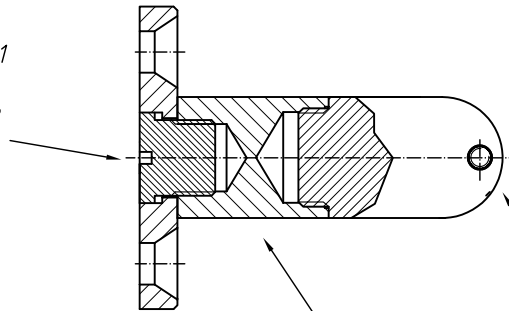
fixing plate
with free wheel
ser. no. 029.005.304



end segment with slit M13ax1/M3
ser. no. 029.005.327

section A - A

mounting part M10x1
with free wheel
ser. no. 029.005.303



initinal segment M10x1/M13x1
ser. no. 029.005.406

threaded bolt M3x8 - 45H
DIN EN ISO 4026
for joint holder
ser. no. 029.003.846

label:
1 unit per bag
ser.no.:000.002.004

				Scale: 1:1	Size: A4	Tolerance: DIN/ISO 2768 c
				Mass: 124,2g	AG:	Material: various
				MC:		Surface: various
			Date	Name	Designation	
			Work 03.12.02	B. Schwachhöfer	center support >Aid 40<	
			Change 14.11.06	S. Lorey		
			Release:			
					Drawing No.	Sheet
B	DIN EN ISO 4026	14.11.06	SL	 Frankfurt am Main - Germany	K - 193.005.434 - B - GB	1
A	threaded bolt	13.01.03	BS		Ser. No. _____	1 Sh.
Status	Change	Date	Name	Caution Copyright DIN 34	Replc.f.:	Replcd.

11.07.2008 12:12:19