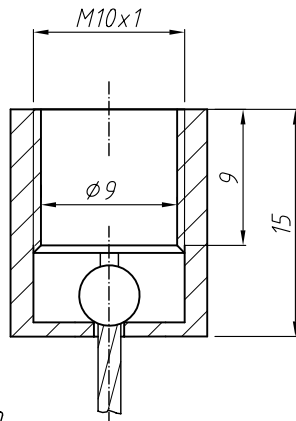
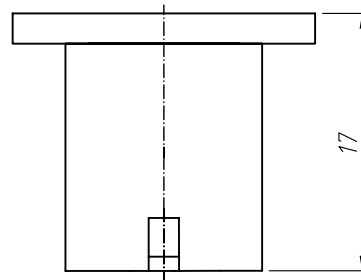
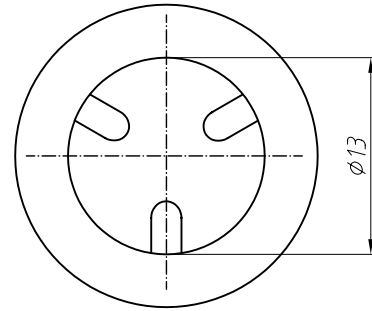
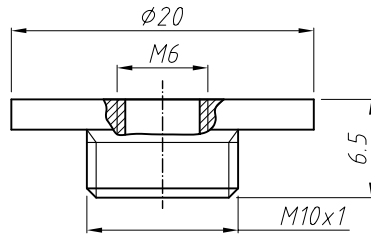


ceiling plate $\phi = 20$ mm
M10 x 1 - M6i
ser. no. 029.006.025




coupler M10x1i
three - point suspension
ser.no. 029.005.239

type of packing:
50 pcs
PE bag ser. no. 000.002.001

Scale: 2:1	Size: A4	Tolerance: DIN/ISO 2768 c
Mass: 14,3g	AG:	Material: various
MC:		Surface: various

	Date	Name
Work	03.07.02	S. Lorey
Change	23.11.04	B. Schwachhöfer

Designation	ceiling attachment >3-cable<
-------------	------------------------------

Release:			
 REUTLINGER® Frankfurt am Main - Germany			
Status	Change	Date	Name

Drawing No.	K - 193.000.095 - 0 - GB	Sheet	1
	Ser. No.		1 Sh.
Replc.f.:		Replcd.	

20.07.2006 09:44:27

Caution Copyright DIN 34