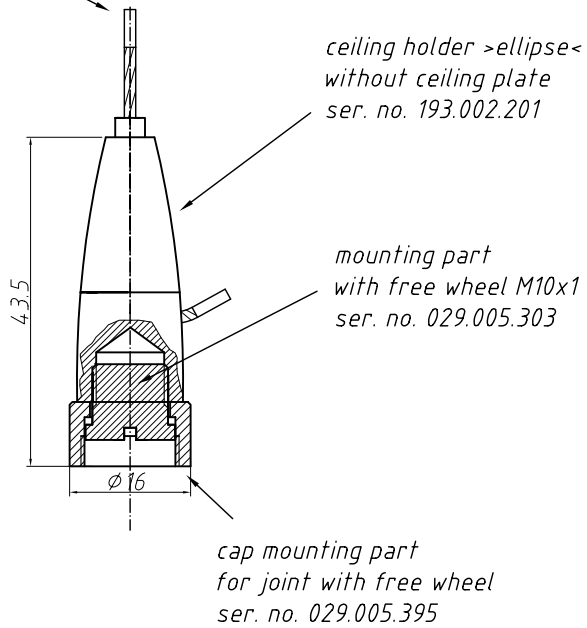


cable
 $\phi = 1,5 \text{ mm}$



label:
 1 unit per bag
 ser.no.:000.002.004

				Scale: 1:1	Size: A4	Tolerance: DIN/ISO 2768 c
				Mass: 36,6g	AG:	Material: various
				MC:		Surface: various
			Date	Name	Designation holder for shelf >ellipse<	
		Work	11.12.02	B. Schwachhöfer		
		Change	02.05.05	S. Lorey		
		Release:				
			REUTLINGER® Frankfurt am Main - Germany		Drawing No.	K - 193.005.470 - 0 - GB Ser. No. _____
Status	Change	Date	Name	Caution Copyright DIN 34		Replc.f.: Replcd.

17.07.2006 11:28:53