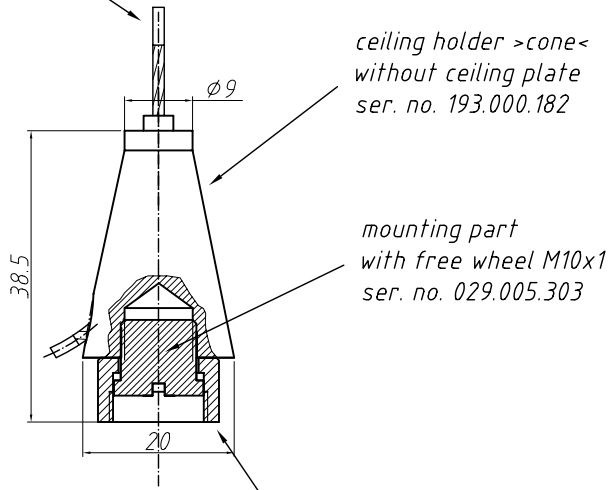


cable  
 $\phi = 1,5 \text{ mm}$



ceiling holder >cone<  
 without ceiling plate  
 ser. no. 193.000.182

mounting part  
 with free wheel M10x1  
 ser. no. 029.005.303

cap mounting part  
 for joint with free wheel  
 ser. no. 029.005.395



label:  
 1 unit per bag  
 ser.no.:000.002.004

				Scale: 1:1	Size: A4	Tolerance: DIN/ISO 2768 c
				Mass: 47,6g	AG:	Material: various
				MC:		Surface: various
			Date	Name	Designation	
			Work 11.12.02	B. Schwachhöfer	holder for shelf >cone<	
			Change 02.05.05	S. Lorey		
			Release:		—	
			<b>REUTLINGER®</b> Frankfurt am Main - Germany		Drawing No.	K - 193.005.467 - 0 - GB Ser. No. _____
					1	1 Sh.
Status	Change	Date	Name	Caution Copyright DIN 34		Repl.c.f.: Repl.cd.

17.07.2006 11:25:27