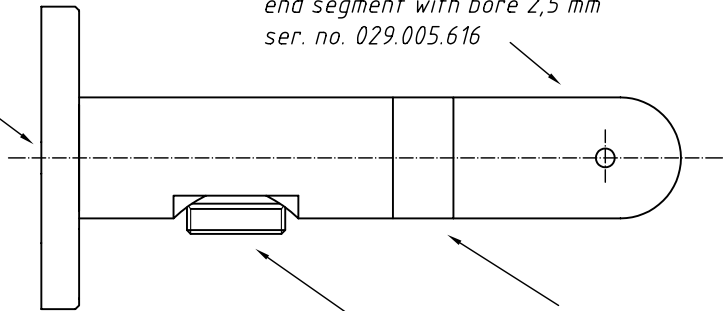


fixing plate
with free wheel
ser. no. 029.005.304

end segment with bore 2,5 mm
ser. no. 029.005.616

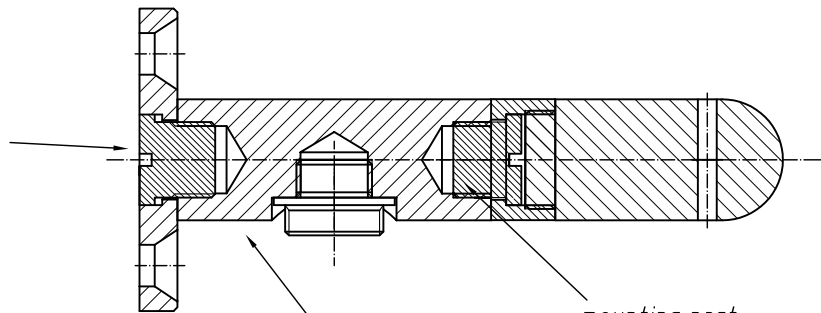


mounting part stick M13x1/M10x1
ser. no. 029.005.326

mounting part cap
joint with free wheel
ser. no. 029.005.395

section A - A

mounting part
with free wheel M10x1
ser. no. 029.005.303



initial segment M10x1 for shelf rack
ser. no. 029.005.397


mounting part
with free wheel M10x1
ser. no. 029.005.303

label:
1 unit per bag
ser.no.:000.002.004

Scale: 1:1	Size: A4	Tolerance: DIN/ISO 2768 c
Mass: 174,7g	AG:	Material: various
MC:		Surface: various

	Date	Name
Work	10.12.02	B. Schwachhöfer
Change	24.11.04	B. Schwachhöfer

Designation	pull out shelf rack >Basic 70<	
Release:		—
Drawing No.		K - 193.005.435 - 0 - GB

 REUTLINGER® Frankfurt am Main - Germany			
Status	Change	Date	Name
Caution Copyright DIN 34			

Sheet	1
7 Sh.	
Replc.f.:	Replcd.