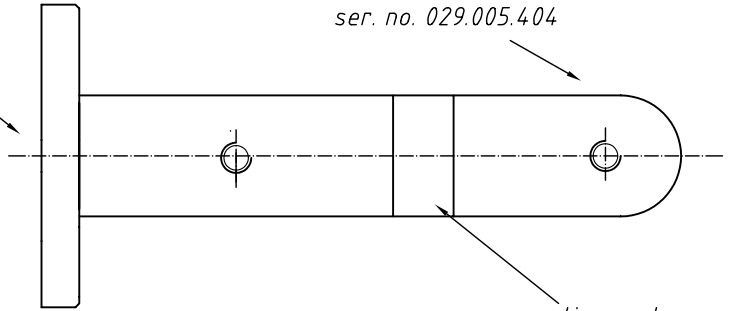


fixing plate  
with free wheel  
ser. no. 029.005.304

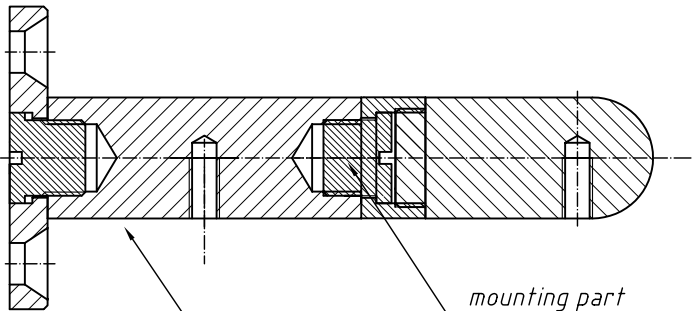
end segment with M4  
ser. no. 029.005.404



mounting part cap  
joint with free wheel  
ser. no. 029.005.395

section A - A

mounting part  
with free wheel M10x1  
ser. no. 029.005.303



mounting part  
with free wheel M10x1  
ser. no. 029.005.303

initial segment with M4  
ser. no. 029.005.403

type of packing:  
1 pcs in a PE-bag  
ser. no. 000.002.004

Scale: 1:1	Size: A4	Tolerance: DIN/ISO 2768 c
Mass: 175,2g	AG:	Material: various
MC:		Surface: various

	Date	Name
Work	13.12.02	B. Schwachhöfer
Change	20.09.05	B. Schwachhöfer

Designation	pull out sign hanger >Basic 70<	
Release:		—
Drawing No.		K - 193.005.436 - 0 - GB

 Frankfurt am Main - Germany		Drawing No. K - 193.005.436 - 0 - GB Ser. No. _____	Sheet			
			1			
Status	Change	Date	Name	Caution Copyright DIN 34	Replc.f.:	Replcd.

Sheet	1
1 Sh.	