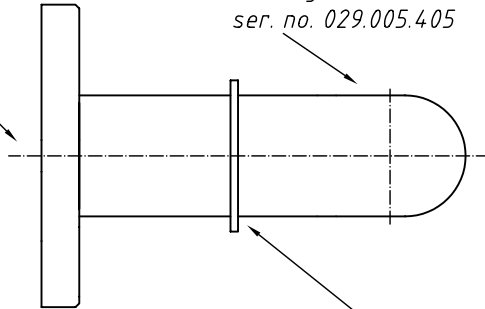


fixing plate
with free wheel
ser. no. 029.005.304

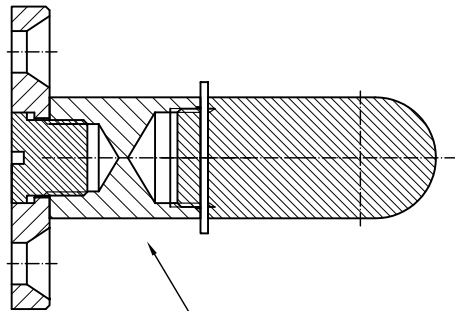
end segment without thread
ser. no. 029.005.405



disk 20x14x1mm
ser. no. 029.005.244

section A - A

mounting part
with free wheel M10x1
ser. no. 029.005.303



initial segment M10x1/M13x1
ser. no. 029.005.406

type of packing:
1 pcs in a PE-bag
ser. no. 000.002.004

Scale: 1:1	Size: A4	Tolerance: DIN/ISO 2768 c
Mass: 125,9g	AG:	Material: various
MC:		Surface: various

	Date	Name
Work	13.12.02	B. Schwachhöfer
Change	20.09.05	B. Schwachhöfer

Designation	pull out clothes-sack >Basic 40<
Release:	
Drawing No.	

REUTLINGER®
Frankfurt am Main - Germany

Drawing No.	K - 193.005.438 - 0 - GB	Sheet
	Ser. No.	1
		1 Sh.

Status	Change	Date	Name	Caution Copyright DIN 34	Replc.f.:	Replcd.
--------	--------	------	------	--------------------------	-----------	---------