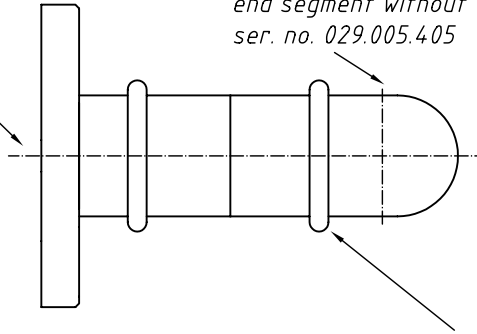


fixing plate
with free wheel
ser. no. 029.005.304

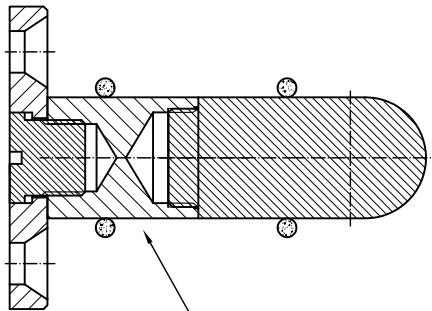
end segment without thread
ser. no. 029.005.405



O - ring 15 x 2,5 mm
ser. no. 029.005.245


section A - A

mounting part
with free wheel M10x1
ser. no. 029.005.303



initial segment M10x1/M13x1
ser. no. 029.005.406

label:
1 unit per bag
ser.no.:000.002.004

				Scale: 1:1	Size: A4	Tolerance: DIN/ISO 2768 c
				Mass: 125,2g	AG:	Material: various
				MC:		Surface: various
			Date	Name	Designation	
			Work 13.12.02	B. Schwachhöfer	pull out shelf-support >Basic 40<	
			Change 29.11.04	B. Schwachhöfer		
			Release:		—	
			 REUTLINGER® Frankfurt am Main - Germany		Drawing No.	Sheet
						K - 193.005.437 - 0 - GB
			Caution Copyright DIN 34		Ser. No.	1 Sh.
Status	Change	Date	Name	Replc.f.:	Replcd.	

11.07.2008 14:42:41