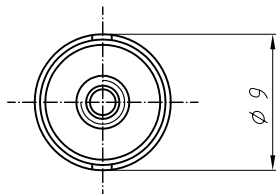
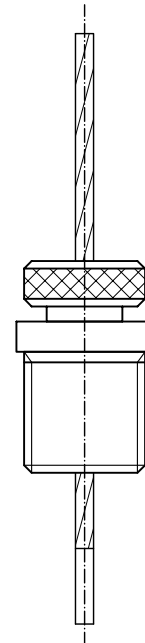
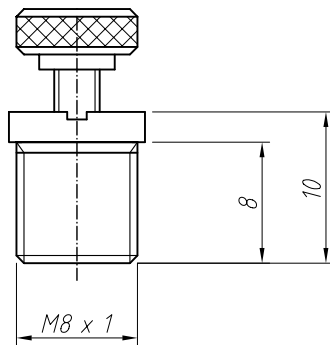


Cable  $\phi = 1,2 \text{ mm}$



type of packing:  
100 pcs per PE - bag  
ser.no. 000.002.001



Thread tolerance	Customer	
Nut	2B	
Bolt	3A	
Scale: 2:1	Size: A4	Tolerance: DIN/ISO 2768 c
Mass: 3,7g	AG:	Material: brass
MC:		Surface: nickel plated

	Date	Name
Work	14.12.05	O.Ziegenhain
Change		
Release:		
<b>REUTLINGER®</b> Frankfurt am Main - Germany Caution Copyright DIN 34		
Status	Change	Date

Designation	Cable glider type 12 V M8x1 A9 o.F. with nut M3
Drawing No.	K - 193.000.137 - 0 - GB Ser. No. _____
Replc.f.:	Replcd.
Sheet	1
1 Sh.	