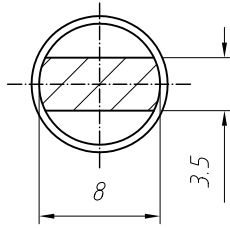
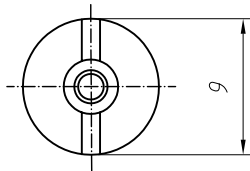
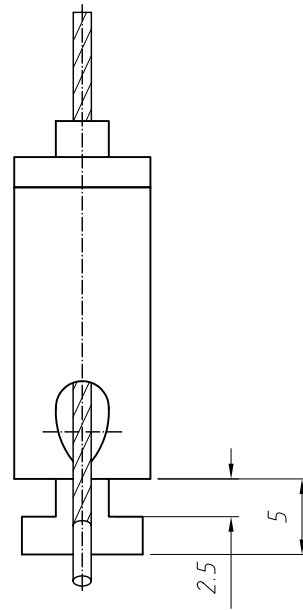
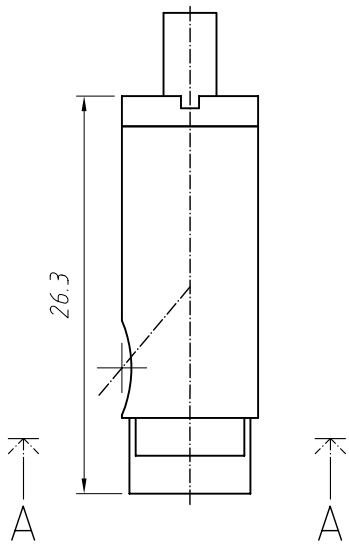


section A - A



Drahtseil  
Ø = 1.2 mm



type of packing:  
100 pieces in one PE-Bag  
Ser.no.: 000.002.001



|                  |          |
|------------------|----------|
| Thread tolerance | Customer |
| Nut              | 2B       |
| Bolt             | 3A       |

|          |          |      |                                 |              |  |                           |
|----------|----------|------|---------------------------------|--------------|--|---------------------------|
|          |          |      |                                 | Scale: 2:1   | Size: A4   | Tolerance: DIN/ISO 2768 c |
|          |          |      |                                 | Mass: 9,8g   | AG:  | Material: brass           |
|          |          |      |                                 | MC:          |  | Surface: nickel plated    |
|          |          |      | Date                            | Name         | Designation  |                           |
|          |          |      | Work 10.05.96                   | O.Ziegenhain | Cable glider type 12 M8x1 A9<br>with coupler ZW NK |                           |
|          |          |      | Change 14.12.05                 | O.Ziegenhain |  |                           |
|          |          |      | Release:                        |              | Drawing No.  | Sheet                     |
|          |          |      | <br>Frankfurt am Main - Germany |              | K - 193.000.143 - A - GB                           | 1                         |
|          |          |      |                                 |              |  |                           |
| △ groove | 15.10.99 | OZ   | Caution Copyright DIN 34        |              | Replc.f.:  | Replcd.                   |
| Status   | Change   | Date | Name                            |              |  |                           |