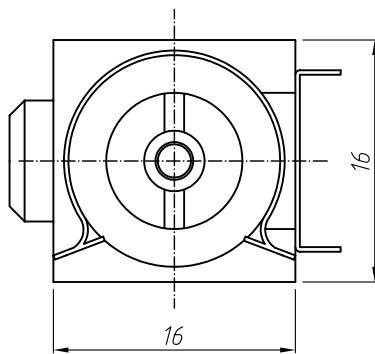
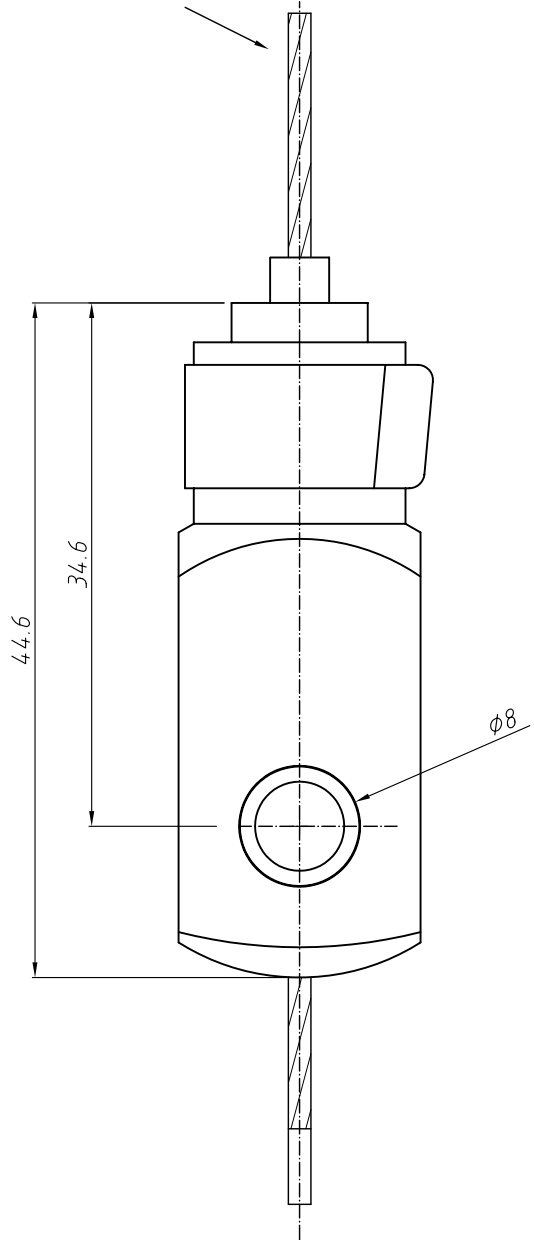
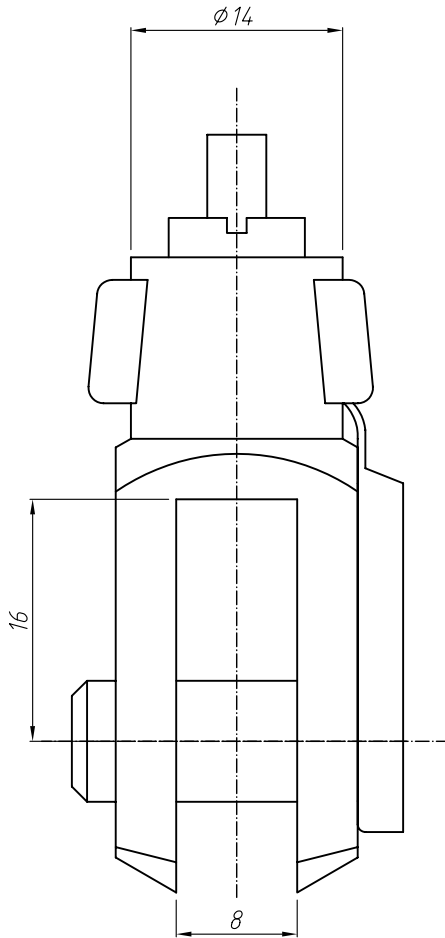


cable  
 $\phi = 1.5 \text{ mm and } 1.6 \text{ mm}$



Type of packing:  
 50 pieces in one  
 PE - bag ser.no.: 000.002.001



Scale: 2:1	Size: A4	Tolerance: DIN/ISO 2768 c
Mass: 51,0g	AG:	Material: various
MC:		Surface: various

Status	Change	Date	Name	Designation
		Work	21.05.96	A.Bös
		Change	14.04.05	S.Lorey
		Release:		
<b>REUTLINGER®</b> Frankfurt am Main - Germany Caution Copyright DIN 34				
$\Delta$	with safety bolt	05.08.099	OZ	

Designation	Cable glider type 15 Fork 8x16, with safety bolt	
Drawing No.	K - 193.000.169 - A - GB	Sheet 1
	Ser. No. _____	1 Sh.
Replc.f.:	360 K / 96	Replcd.

16.08.2006 13:57:46