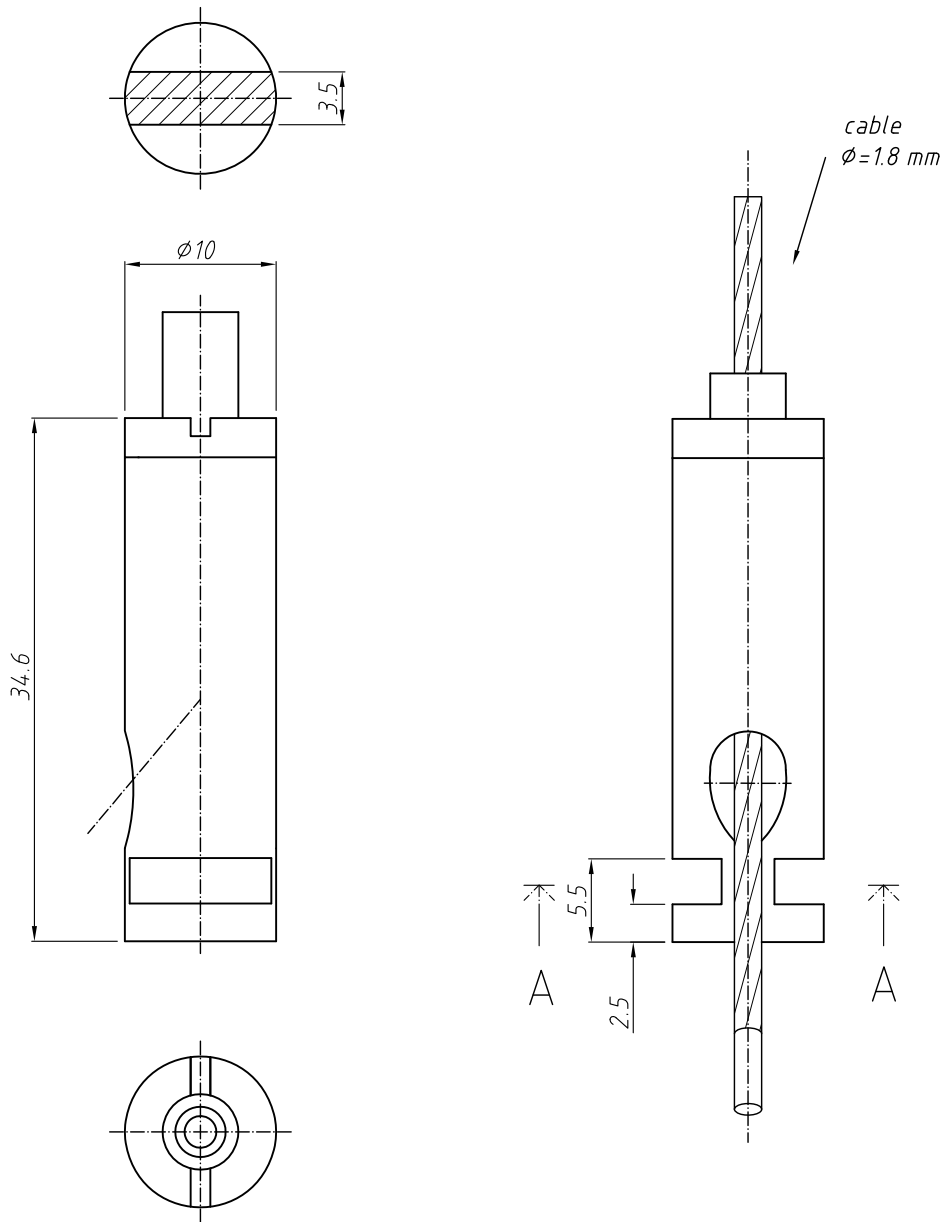


Section A - A



type of packing:
100 pieces in one
PE-bag ser.no. 000.002.001



| | | |
|--------------|----------|---------------------------|
| Scale: 2:1 | Size: A4 | Tolerance: DIN/ISO 2768 c |
| Mass: 15,2 g | AG: | Material: various |
| MC: | | Surface: various |

| | Date | Name |
|--------|----------|----------|
| Work | 30.03.98 | Ch.Kögel |
| Change | | |

| | |
|-------------|------------------------|
| Designation | holder type 18 ZW - NG |
| Release: | - |

REUTLINGER
Frankfurt am Main - Germany

| | | |
|-------------|--------------------------|-------|
| Drawing No. | K - 193.000.059 - 0 - GB | Sheet |
| | Ser. No. | 1 |
| | | 1 Sh. |

| Status | Change | Date | Name |
|--------|--------|------|------|
| A | | | |

Caution Copyright DIN 34

| | |
|------------|----------|
| Repl.c.f.: | Repl.cd. |
|------------|----------|